

# VT50 BODY-WORN CAMERA

The small and discreet VT50 & VT50-XLR delivers a simple to use and fully integrated enterprise mobile video solution.



## GENERAL INFORMATION

Typical Usage	Enterprise managed incident recorder for personal and site security.
Management Software	Requires VideoManager Licence or Cloud Service.
Warranty	1 year return-to-manufacturer warranty. For support relating to VideoManager, Software Assurance is required.

## SIZE AND WEIGHT

Dimensions	42mm x 42mm x 22.5mm (Including clip, 16mm without).
Weight	29g (Including clip, 27g without).

## BATTERY

Battery	Integral, not user serviceable.
Battery Type	Lithium Polymer.
Battery Recharging Times	Typically recharges in less than 3 hours.
Battery in Recording Mode	Up to 1.5 hours of recording, or up to 1 hour of live streaming & recording. Can be connected to an external power pack for longer record times.
Battery capacity in standby	3 months.
Battery Overcharge Protection	VT50 has overcharge protection so cannot be overcharged and can be left in docking station.

## AUDIO

Audio Capture	Yes.
---------------	------

## CAMERA FEATURES

Buttons	One button on top, which can be used to start and stop recording.
Lens Capture Angle	130 degree field of view.
Memory Capacity	16GB (VT50) / 128GB (VT50-XLR).
Recording Status User Notification	Audible and visual feedback.

## VIDEO AND RECORDING

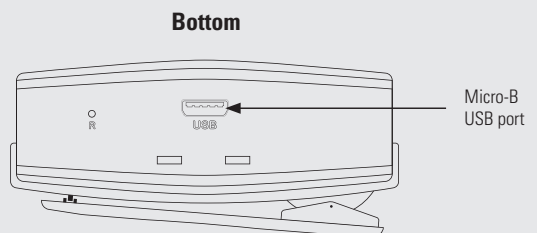
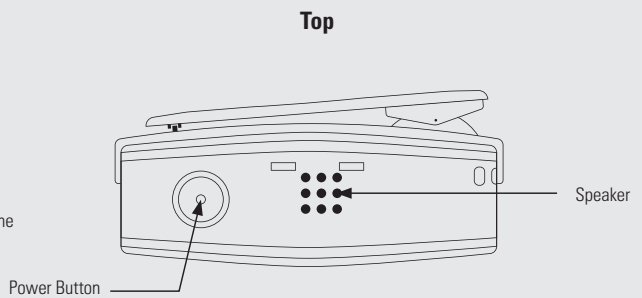
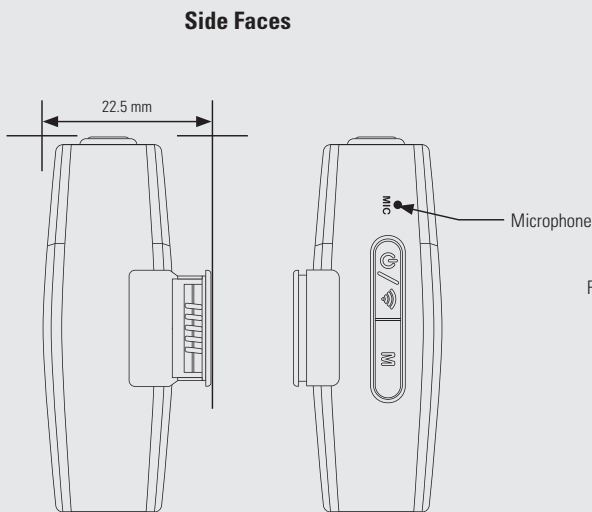
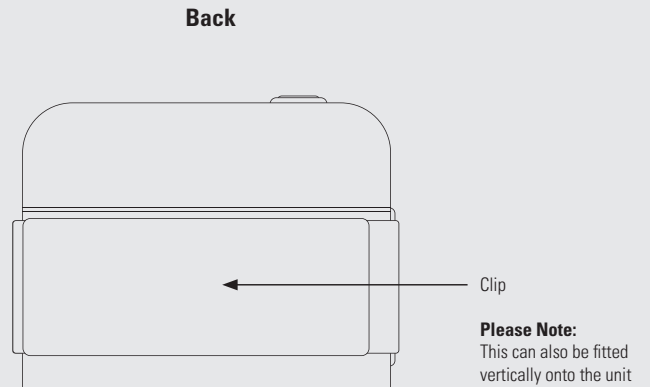
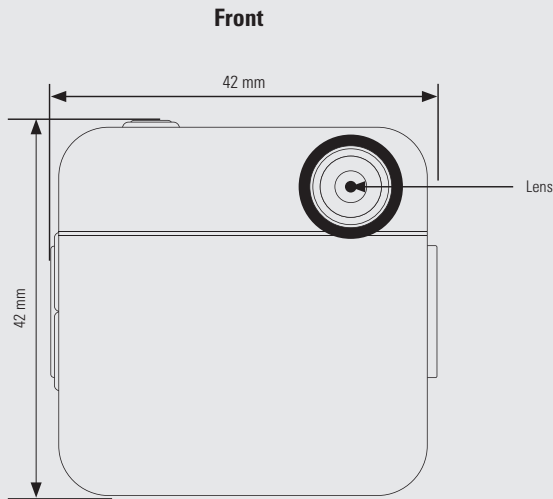
Video Recording Format	H.264.
Resolution	1280 x 720 HD.
Frame Rate	30 frames per second.
Recording Storage Capacity	16GB (VT50) / 128GB (VT50-XLR).

**WI-FI® FEATURES**

Wi-Fi Specifications	802.11 b/g/n (2.4GHz Wi-Fi).
Wi-Fi Security	WPA2-PSK.
Wi-Fi Streaming	640x360 15fps. Compatible with ONStream.

**SECURITY**

Network Data Security on USB Storage Media	VT50 does not appear as a USB storage device, and cannot receive files whilst connected to a Wi-Fi network.
Audit Trail	Usage, operations and recording details all audit-logged and indexed.
Recordings View, Copy and Deletion Ability	The VT50 operator cannot access, view or delete any recordings on the body-worn camera unless they have the correct permissions, and the recordings have been downloaded to VideoManager. Footage can never be deleted directly from the VT50 by any user.



# VT-50-N / VT-50-XLR-N & ACCESSORIES

## VT50 (VT-50-N / VT-50-XLR-N)



### Features include:

Wi-Fi streaming, small and discreet, 16GB storage (VT50) 128GB Storage (VT50-XLR), 3 Months Standby (Instant Recording Mode), up to 1.5 hrs of recording, or up to 1hr of live streaming & recording, 1 year return-to-manufacturer warranty. Comes with a Micro USB cable and Crocodile Clip.

PLEASE NOTE: Requires VideoManager Enterprise Licence or VideoManager Cloud Service. Please speak to your account manager for further details.

**PART NUMBER:** VT-50-N / VT-50-XLR-N



## CHARGERS, DOCKCONTROLLERS & RFIDS

VT-50-DOCK14/UK, VT-50-DOCK14/US, VT-50-DOCK14/ROW,  
VT-50-DOCK14/EU, VT-50-DOCK14/AUS

VT50 14-Port Dock

DC-200/UK, DC-200/EU, DC-200/US, DC-200/AUS, DC-200/ROW

DockController DC-200

RF-220

RFID RF-220

RF-STICKER-10

RFID Sticker-Style Tag (x10)

RF-CARD-10

RFID Card (x10)



VT-50-FIX-CROC



VT-50-FIX-CAP



AC-USB-MICROB-100



AC-USB-DOCK-200 / AC-USB-DOCK-050

## ATTACHMENTS, LANYARDS & REPLACEMENT CABLES

VT-50-FIX-CROC

VT50 Crocodile Clip (Spare)

VT-50-FIX-CAP

VT50 Crocodile Clip to Cap Mount Adaptor\*

AC-USB-MICROB-100

Replacement Micro USB Cable

AC-USB-DOCK-200, AC-USB-DOCK-050

Replacement USB Type A to USB Type B Cable (0.5m, 2.0m)

\*Cap not included.



Motorola Solutions Ltd. Nova South, 160 Victoria Street, London, SW1E 5LB, United Kingdom

Availability is subject to individual country law and regulations. All specifications shown are typical unless otherwise stated and are subject to change without notice. MOTOROLA, MOTO, MOTOROLA SOLUTIONS and the Stylized M Logo are trademarks or registered trademarks of Motorola Trademark Holdings, LLC and are used under license. All other trademarks are the property of their respective owners.  
© 2020 Motorola Solutions, Inc. All rights reserved. (07/20) (ED-002-022-29)