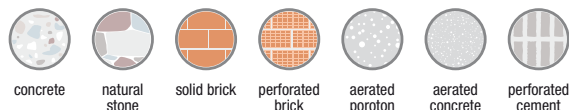


Vorpa ZV

Universal nylon plug



products group



ZV



ZVP extralong

Suitable for

- concrete
- natural stone
- solid brick
- perforated brick
- aerated poroton
- aerated concrete
- perforated cement

To fix

- curtain slide guides
- lighting, paintings
- post boxes
- satellite dishes
- shelves, profiles
- door stops
- ceilings, hangers
- motion sensors
- bath accessories
- wall mounting for tv and radio

Leaf through the **Technical Data Sheet** to verify the wide range of pre-assembled accessories ZV

product information

Characteristics

- nylon wallplug available in two different sizes 9-12 mm Ø
- the wallplug expands upon return of the cone, when the accessory is tightened
- the wallplug's particular shape guarantees effective expansion
- the side lugs prevent the wallplug from twisting around on its own axis
- the opening along its length guarantees perfect adherence even on non solid materials
- the collar prevents stressing claddings
- useful in a wide range of applications
- can be used on most popular building materials

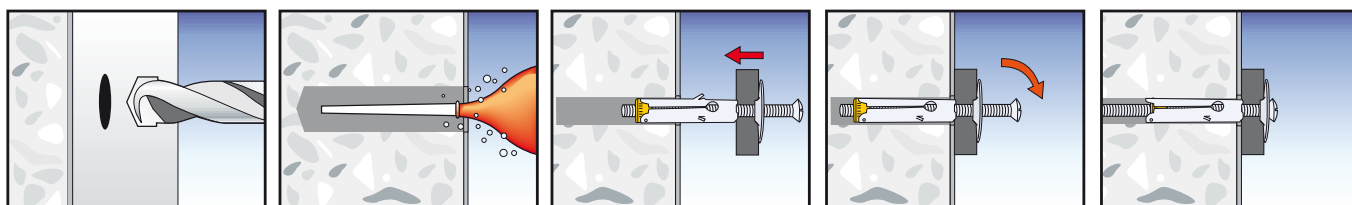
Installation

- to be mounted aligned the wall

Suggestion for use

- always consider an appropriate safety factor
- check load bearing capacity values
- respect the installation data
- clean the hole before the installation

installation sequence ZV with screw



On solid brick

Clean the hole before the installation

product code and technical data

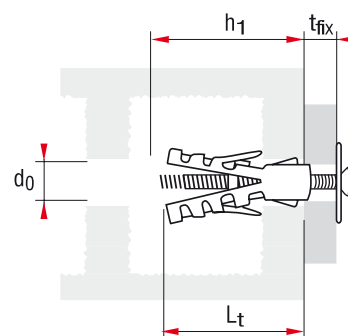


ZV screw



ZVP extra long screw

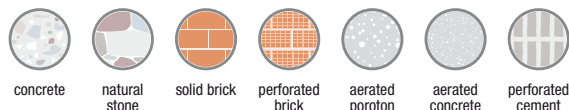
Code	Description	d ₀ mm	L _t mm	h ₁ mm	T _{fix} mm
975	ZV 9 screw	9	45	61	10
976	ZV 12 screw	12	50	71	10
636	ZVP 9 extra long screw	9	60	70	10
638	ZVP12 extra long screw	12	60	70	10



L_t = Anchor length
h₁ = Min. hole depth
d₀ = Hole diameter
t_{fix} = Fixture thickness

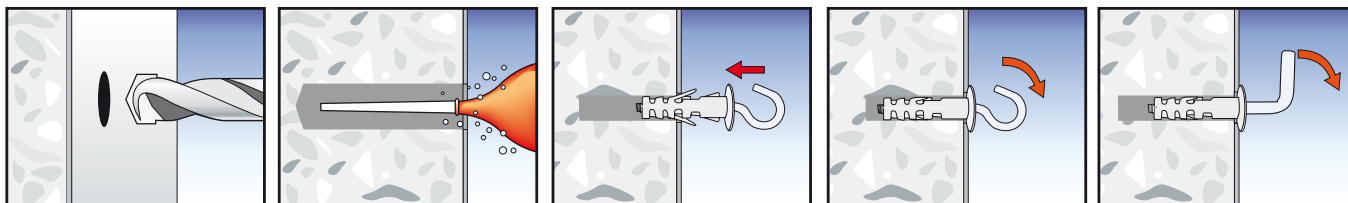
Vorpa ZV

Universal nylon plug

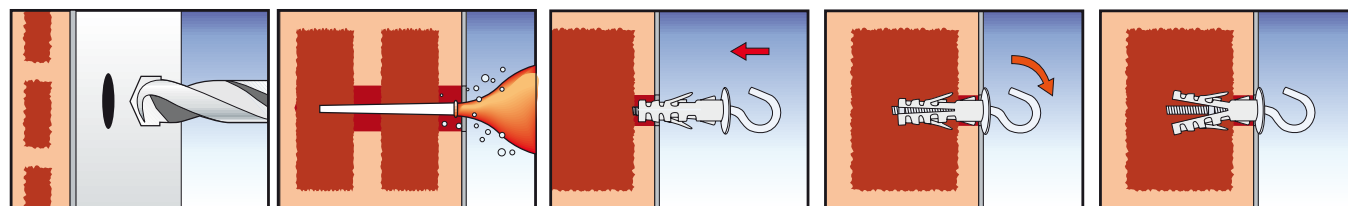


installation sequence ZV with accessories

On solid brick

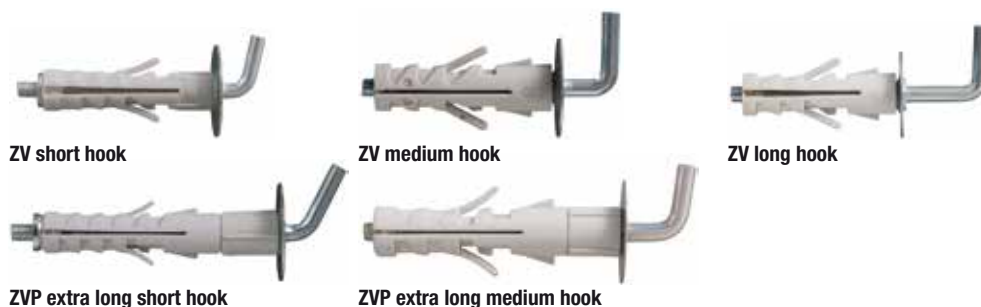


On hollow brick

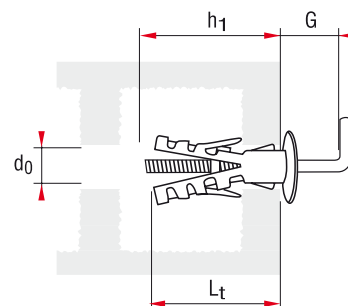


Clean the hole before the installation

product code and technical data

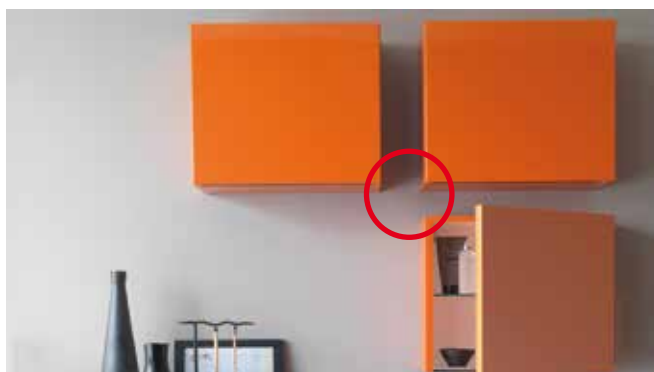


Code	Description	d ₀ mm	L _t mm	h ₁ mm	G mm
977	ZV 9 short hook	9	45	55	7
978	ZV 12 short hook	12	50	60	7
979	ZV 9 medium hook	9	45	55	11
980	ZV 12 medium hook	12	50	60	11
981	ZV 9 long hook	9	45	55	18
982	ZV 12 long hook	12	50	60	22
637	ZVP 9 extra long short hook	9	60	70	7
639	ZVP12 extra long short hook	12	60	70	7
667	ZVP12 extra long medium hook	12	60	70	11



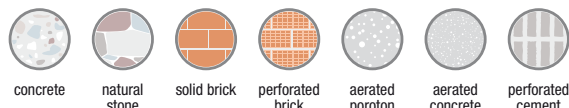
- L_t = Anchor length
- h₁ = Min. hole depth
- d₀ = Hole diameter
- t_{fix} = Fixture thickness
- P = Wire hook
- G = Hook
- Ø₀ = Eyebolt diameter
- Ø_bxL_b= Stud diameter x stud length

Examples of applications

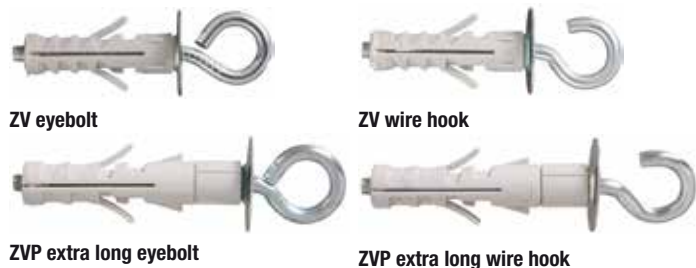


Vorpa ZV

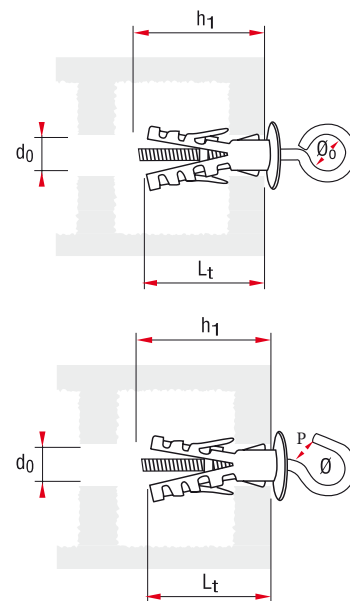
Universal nylon plug



product code and technical data

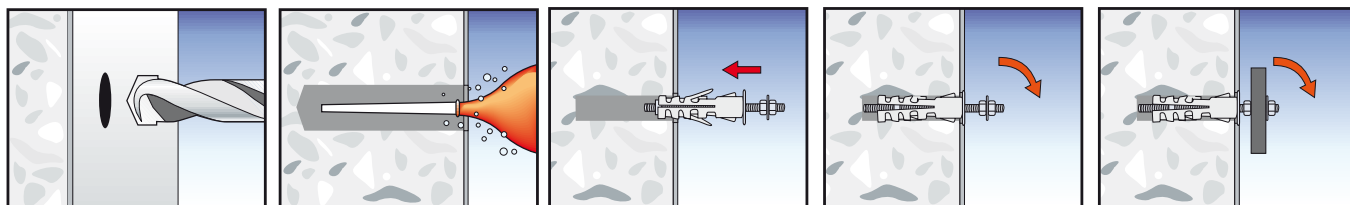


Code	Description	d ₀ mm	L _t mm	h ₁ mm	Ø ₀ mm	P mm	G mm
983	ZV 9 eyebolt	9	45	55	12		
984	ZV 12 eyebolt	12	50	60	13		
985	ZV 9 wire hook	9	45	55	12		
986	ZV 12 wire hook	12	50	60	13		
667	ZVP 12 extra long medium hook	12	60	70			11
973	ZVP 12 extra long eyebolt	12	60	70	13		
974	ZVP 12 extra long wire hook	12	60	70		13	



universal and frame fixings

installation sequence ZV with accessories



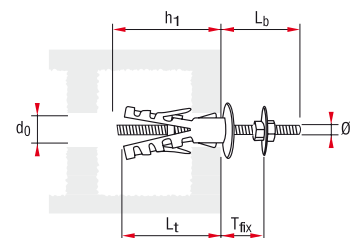
On solid brick

Clean the hole before the installation

product code and technical data



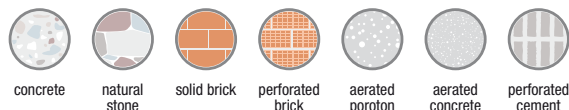
Code	Description	d ₀ mm	L _t mm	h ₁ mm	Ø _b xL _b mm	T _{fix} mm
987	ZV 9 stud M4x30	9	45	55	M4x30	10
988	ZV 12 stud M5x30	12	50	60	M5x30	10
991	ZV 9 stud M4x50	9	45	55	M4x50	25
993	ZV 12 stud M5x50	12	50	60	M5x50	25
992	ZV 12 stud M6x20	12	50	60	M6x20	10



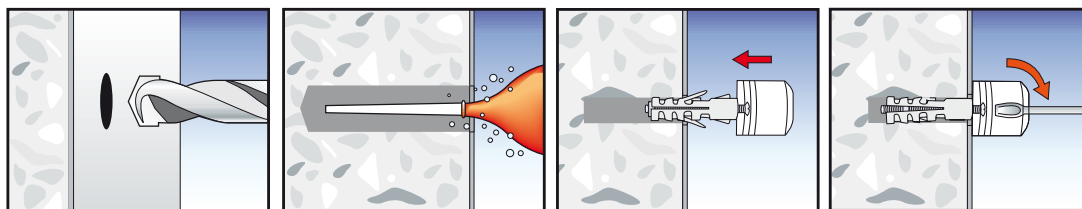
- L_t = Anchor length
- h₁ = Min. hole depth
- d₀ = Hole diameter
- t_{fix} = Fixture thickness
- P = Wire hook
- G = Hook
- Ø₀ = Eyebolt diameter
- Ø_bxL_b = Stud diameter x stud length

Vorpa ZV

Universal nylon plug



installation sequence ZV doorstop



On solid brick

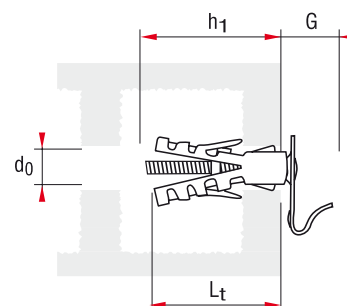
Clean the hole before the installation

product code and technical data



ZV flat hook

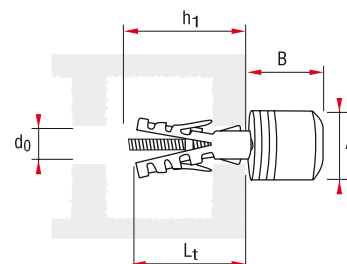
Code	Description	d ₀ mm	L _t mm	h ₁ mm	G mm
957	ZV 9 flat hook	9	45	55	14
969	ZV 12 adjustable hook	12	50	60	5



- L_t = Anchor length
- h₁ = Min. hole depth
- d₀ = Hole diameter
- t_{fix} = Fixture thickness
- G = Hook

ZV doorstop PVC

Code	Description	d ₀ mm	L _t mm	h ₁ mm	AxB mm
989	ZV 9 white doorstop	9	45	55	Ø20x25
990	ZV 9 black doorstop	9	45	55	Ø20x25



technical data ZV

ATTENTION: An appropriate safety factor ≥ 5 should be applied on these values

ZV 9

Code	975	*977	*979	*981	*983	*985	991	987	636	*637
Pull out values in daN	1 daN \approx 1 kg									
Aerated poroton	160	50	50	50	50	50	160	160	160	50
Concrete C20/25	220	50	50	50	50	50	220	220	220	50
*bending moment										

ZV 12

Code	976	*978	*980	*982	*984	*986	993	988	992	638	*639	*667	*973	*974
Pull out values in daN	1 daN \approx 1 kg													
Aerated poroton	210	90	90	90	90	90	210	210	210	210	90	90	90	90
Concrete C20/25	350	90	90	90	90	90	350	350	350	350	90	90	90	90
*bending moment														

As for applications on natural stones and solid bricks it is not possible to show specific loading values because of the various materials properties