

Vorpa VPO

Hammer-in nylon fixing

products group



VPO hammer-in plug countersunk flanged collar

Suitable for

- non cracked concrete
- natural stone
- solid brick

To fix

- door frames/windows frames
- counter frames
- wood substructures
- profiles, skirtings
- electrical installations
- wall connection or plaster profiles
- slides, sheets
- cable and pipe clamps
- punched tapes
- external wood deck



VPO INOX A2 SS hammer-in plug countersunk flanged collar



product information

Characteristics

- integrated hammer-in nylon plug for push-through installation
- easy fast and economical fixing
- suitable for substructures made of wood and metal
- ideal for an economic series installation
- the hammer in plug structure prevents the plug from expanding prematurely
- the thread of the nail screw allows the screw to be removed
- when hammered in, the nail screw causes the plug to expand in two directions

Installation

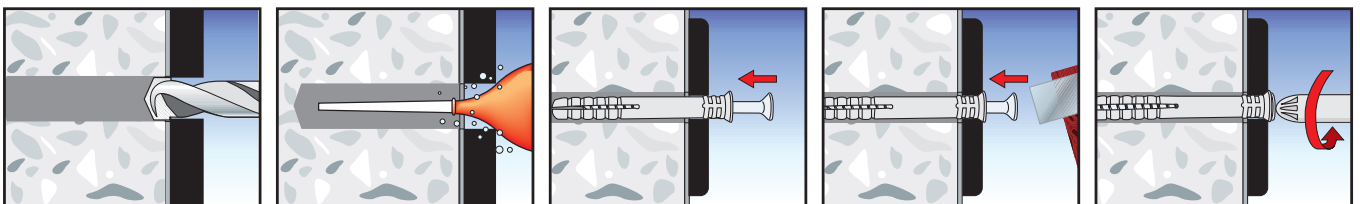
- through setting anchor

Suggestion for use

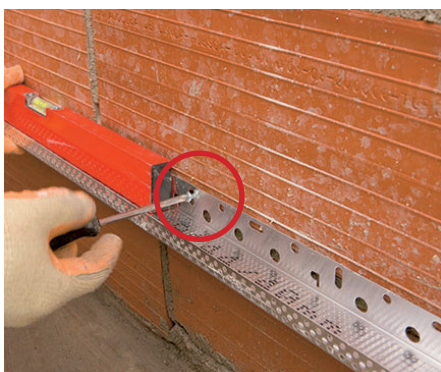
- always consider an appropriate safety factor
- check load bearing capacity values
- respect the installation data
- clean the hole before the installation

installation sequence

Clean the hole before the installation



Examples of applications





Vorpa VPO

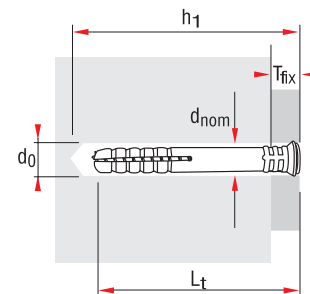
Hammer-in nylon fixing

product code and technical data



VPO hammer-in plug countersunk flanged collar

Code	Description	$d_{nom} \times L_t$ mm	h_1 mm	T_{fix} mm	d_o mm
690	VPO 5/35	5 x 35	45	5	5
662	VPO 5/50	5 x 50	60	20	5
1663	VPO 6/40	6 x 40	50	10	6
663	VPO 6/50	6 x 50	60	20	6
691	VPO 6/60	6 x 60	70	30	6
1664	VPO 6/70	6 x 70	80	40	6
664	VPO 6/80	6 x 80	90	50	6
692	VPO 8/60	8 x 60	70	20	8
693	VPO 8/80	8 x 80	90	40	8
694	VPO 8/100	8 x 100	110	60	8
698	VPO 8/120	8 x 120	130	80	8
668	VPO 8/135	8 x 135	145	95	8
699	VPO 10/100	10 x 100	110	60	10
2950	VPO 10/120	10 x 120	130	70	10
2951	VPO 10/140	10 x 140	150	90	10
2952	VPO 10/160	10 x 160	170	100	10



L_t = Plug length
 h_1 = Min. hole depth
 d_o = Hole diameter
 T_{fix} = Fixture thickness
 d_{nom} = Plug diameter

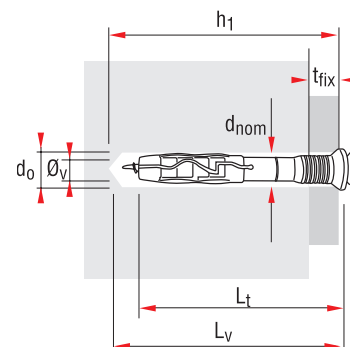
universal and frame fixings



VPO INOX A2 SS hammer-in plug countersunk flanged collar



Code	Description	$d_{nom} \times L_t$ mm	h_1 mm	T_{fix} mm	d_o mm
3643	VPO A2 6/40	6 x 40	55	10	6
3644	VPO A2 6/60	6 x 60	75	30	6
3645	VPO A2 6/80	6 x 80	95	50	6
3646	VPO A2 8/60	8 x 60	75	20	8
3647	VPO A2 8/80	8 x 80	95	40	8
3648	VPO A2 8/100	8 x 100	115	60	8



ATTENTION: An appropriate safety factor ≥ 5 should be applied on these values on solid brick

VPO	VPO 5	VPO 6	VPO 8	VPO 10
Substrate materials				
Pull out values in daN				1 daN = 1 kg
Concrete C20/25	90	140	180	310
Solid brick	80	110	150	280