

Vorpa WING TOGGLE VBG - VBH M10

Universal lighth fixing for plasterboard

products group



VBG M10
Art. 5676
with stud, nuts, washers

- **Suitable for**
- floors with alveolar core
- gypsum fibra
- paving in perforated blocks
- metal profiling
- cavity in general
- cavity four slabs made from bricks and concrete

- **To fix**
- countertops
- collars for exhaust pipes
- heavy ducts
- suspended profiles
- suspended sanitary ware



VBH M10
Art. 5679
for suspended sanitary ware

VBG M10
Art. 5675
wing toggle M10



Test report available

product information

Characteristics

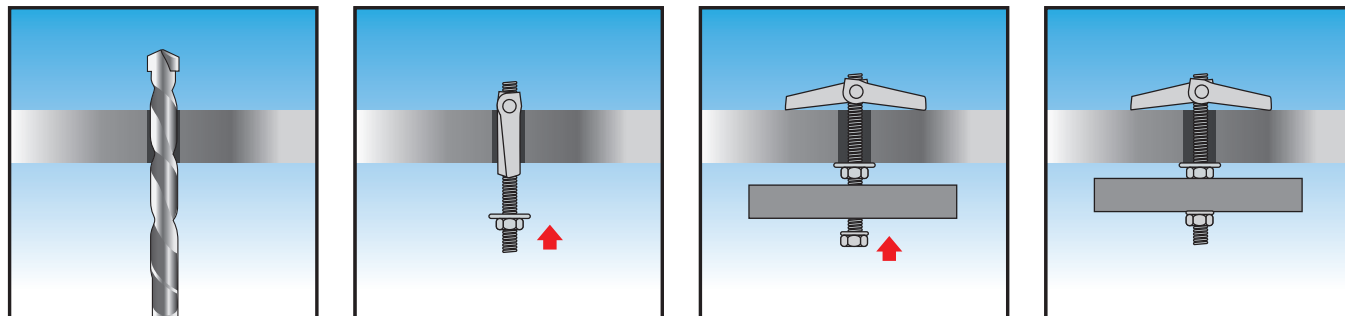
- steel wing toggle with self-locking folding crosspiece inside the cavity
- suitable for fixings on perforated panels, panels of gypsum-fibra, prestressed concrete with alveolar core, corrugated metal profiles, cavities in general
- allows the application of very heavy loads
- possibility to add other accessories as bolts and eyelets hooks

Suggestion for use

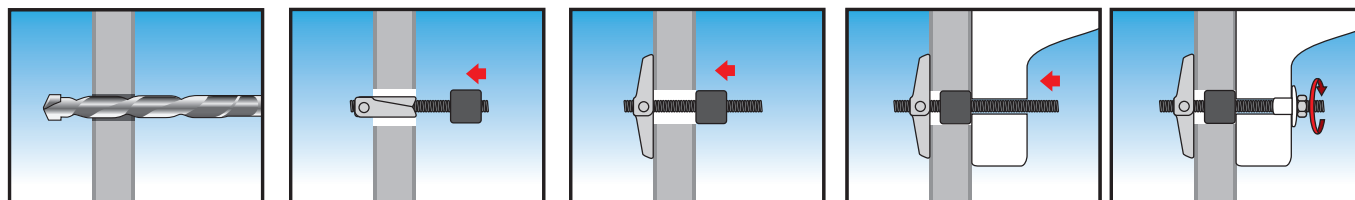
- always consider an appropriate safety factor
- check load bearing capacity values
- respect the installation data

installation sequence

Wing toggle VBG



Wing toggle VBH



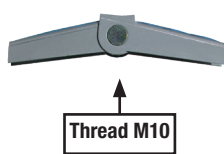
Vorpa WING TOGGLE VBG - VBH M10

Universal lighth fixing for plasterboard

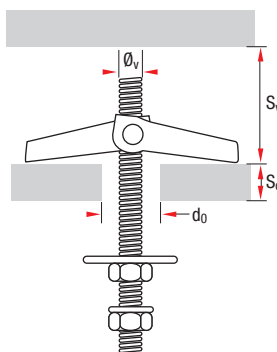
product code and technical data



VBG M10 - Art. 5676
with stud, nuts, washers



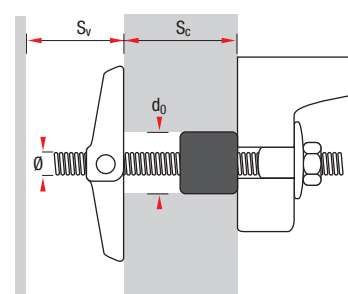
VBG M10 - Art. 5675
wing toggle M10



VBH M10 - Art. 5679
for suspended sanitary ware

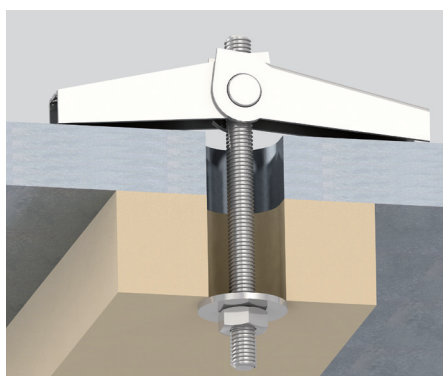
Code	Description	Ø _v mm	d ₀ mm	S _c mm	S _v mm	L _v mm
5675	VBG M10 WING TOGGLE					
5676	VBG M10 STUD M10x160, NUTS, WASHERS	M10	30	80	90	160

Code	Description	Ø _v mm	d ₀ mm	S _c mm	S _v mm	L _v mm
5679	VBH STUD M10x180 SANITARY WARE	M10	30	80	90	180



- Ø_v = Screw diameter
- d₀ = Hole diameter
- S_c = Thickness of the fixture
- S_v = Interspace
- L_v = Stud length

Examples of applications



VBG - VBH M10

Tensile strength of the tilting anchor on a 3 mm metal profile **1 daN ≥ 1 kg**

Wing toggle VBG M10 **1080 daN**

The type of support has an influence on the strength of the steel anchor. It is advisable to adopt an appropriate security factor if used on base material with lower mechanical resistance.

Recommended loads in daN on perforated bricks (doppio UNI) **1 daN ≥ 1 kg**

Wing toggle VBH M10 **90 daN**

The table shows the permissible load for tension, shear and combined tension and shear load.