



Vorpa TVNC

Fixing set for flush tanks

products group



TVNC
nylon bushing
steel nut
wall plug VN

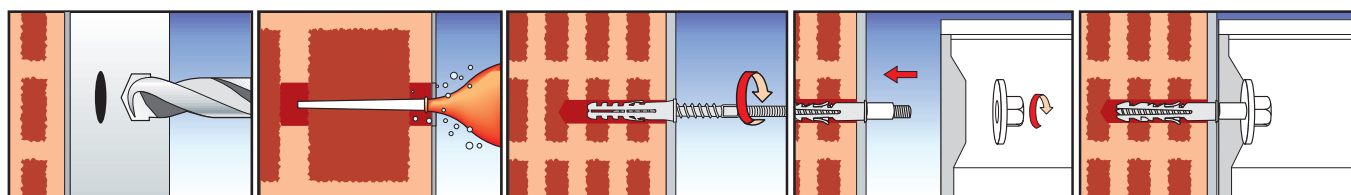
Suitable for

- concrete
- natural stone
- solid brick

To fix

- flush tanks

installation sequence

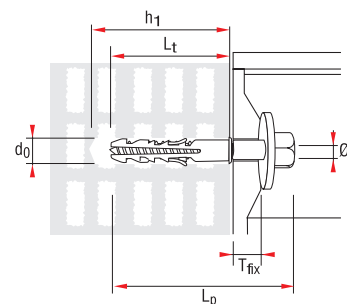


Clean the hole before the installation

product code and technical data

TVNC nylon bushing - steel nut - wall plug VN

Code	Description	L _t mm	d ₀ mm	h ₁ mm	L _p mm	Ø _p mm	T _{fix} mm
2440	TVNC 8/90	60	10	75	90	8	35



- always check load bearing capacity values in the table
- respect the installation data
- clean the hole before the installation

d₀ = Hole diameter
h₁ = Min. hole depth
L_t = Plug length
L_p = Hook length
Ø_p = Hook diameter
T_{fix} = Fixture thickness

Examples of applications



TVNC

Substrate materials	TVNC Ø10	1 daN ≈ 1 kg
Recommended values in daN		
Concrete C20/25	60	
Double brick UNI with plaster	50	