

# Vorpa SV

Universal lighth fixing



products group



SV



SVP extra long

- Suitable for
- concrete
- natural stone
- solid brick

To fix

- curtain slide guides
- lighting, paintings
- post boxes
- satellite dishes
- shelves, profiles
- door stops
- ceilings, hangers
- motion sensors
- bath accessories
- wall mounting for tv and radio

Leaf through the Technical Data Sheet to verify the wide range of pre-assembled accessories SV

product information

Characteristics

- steel wallplug available in three different sizes 6-8-9 mm Ø
- the wallplug expands upon return of the cone, when the accessory is tightened
- thanks to a vast assortment of special accessories this wallplug is useful in a wide range of applications
- expansion is excellent thanks to the zincplated steel shieldings
- the side lugs prevent the wallplug from twisting around on its own axis
- the wallplug can be used on most popular building materials

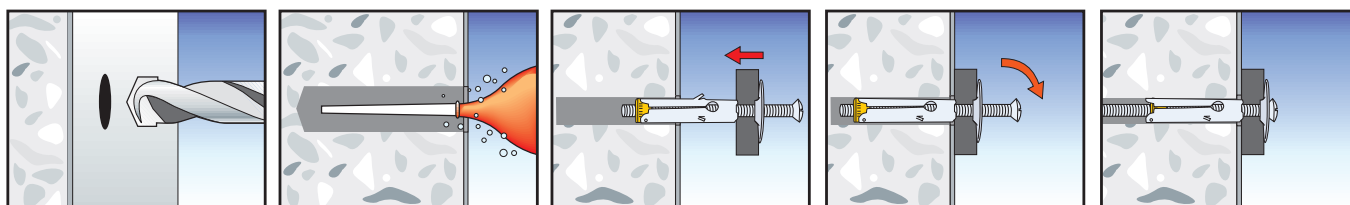
Installation

- to be mounted aligned the wall

Suggestion for use

- always consider an appropriate safety factor
- check load bearing capacity values
- respect the installation data
- clean the hole before the installation

installation sequence SV with screw



On solid brick

Clean the hole before the installation

product code and technical data



SV screw

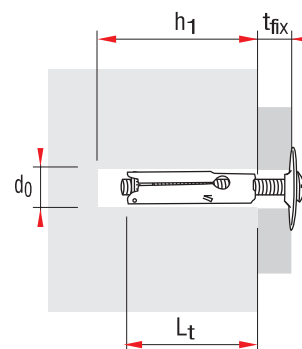


SV extra long with hexagonal screw



SVP extra long with screw

Code	Description	d <sub>0</sub> mm	L <sub>t</sub> mm	h <sub>1</sub> mm	T <sub>fix</sub> mm
1675	SV 6 screw	6	25	35	5
1674	SV 6 long screw	6	25	35	15
675	SV 8 screw	8	40	50	10
676	SV 9 screw	9	45	55	10
2860	SVP 9 extra long with hexagonal screw	9	60	70	10
2861	SVP 9 extra long with screw	9	60	70	10



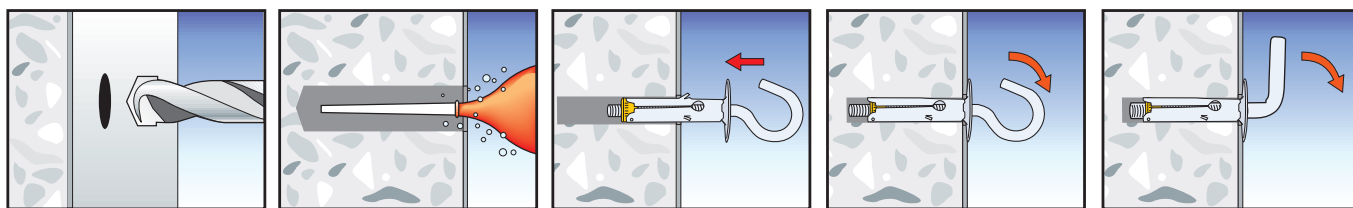
L<sub>t</sub> = Anchor length  
 h<sub>1</sub> = Min. hole depth  
 d<sub>0</sub> = Hole diameter  
 t<sub>fix</sub> = Fixture thickness

# Vorpa SV

Universal lighth fixing



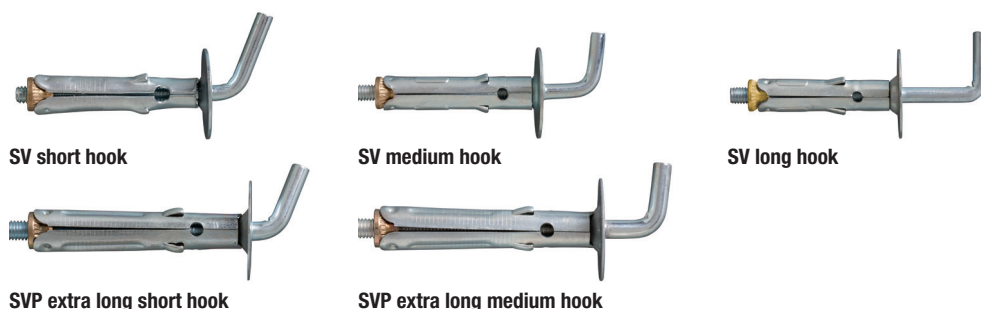
installation sequence SV with accessories



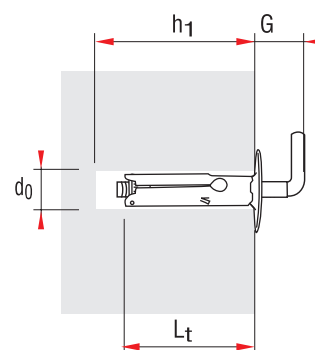
On solid brick

Clean the hole before the installation

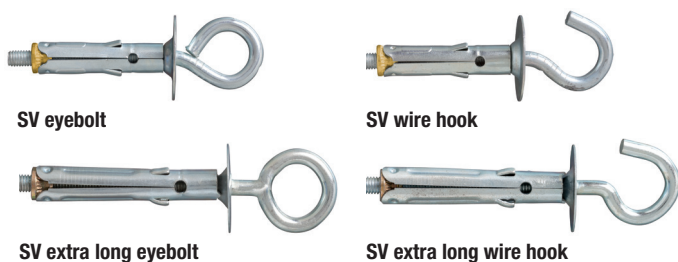
product code and technical data



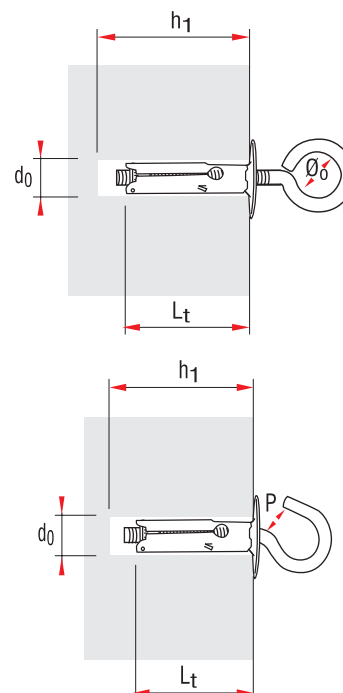
Code	Description	d <sub>0</sub> mm	L <sub>t</sub> mm	h <sub>1</sub> mm	G mm
1677	SV 6 short hook	6	25	35	8
677	SV 8 short hook	8	40	50	11
678	SV 9 short hook	9	45	55	13
679	SV 8 medium hook	8	40	50	15
680	SV 9 medium hook	9	45	55	17
681	SV 8 long hook	8	40	50	22
682	SV 9 long hook	9	45	55	30
2862	SVP 9 extra long short hook	9	60	70	15
2863	SVP 9 extra long medium hook	9	60	70	20



- L<sub>t</sub> = Anchor length
- h<sub>1</sub> = Min. hole depth
- d<sub>0</sub> = Hole diameter
- t<sub>fix</sub> = Fixture thickness
- P = Wire hook
- G = Hook
- Ø<sub>0</sub> = Eyebolt diameter
- Ø<sub>0</sub>xL<sub>0</sub> = Stud diameter x stud length



Code	Description	d <sub>0</sub> mm	L <sub>t</sub> mm	h <sub>1</sub> mm	Ø <sub>0</sub> mm	P mm
1683	SV 6 eyebolt	6	25	35	8	6
683	SV 8 eyebol	8	40	50	13	8
684	SV 9 eyebol	9	45	55	14	9
1685	SV 6 wire hook	6	25	35		
685	SV 8 wire hook	8	40	50		
686	SV 9 wire hook	9	45	55		
2864	SVP 9 extra long eyebolt	9	60	70	14	
2865	SVP 9 extra long wire hook	9	60	70		9

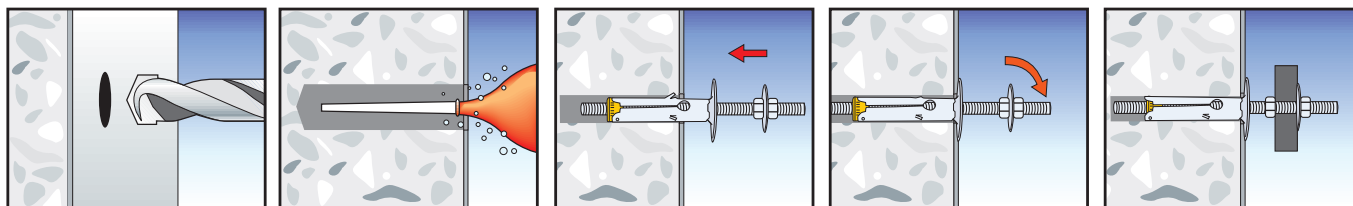




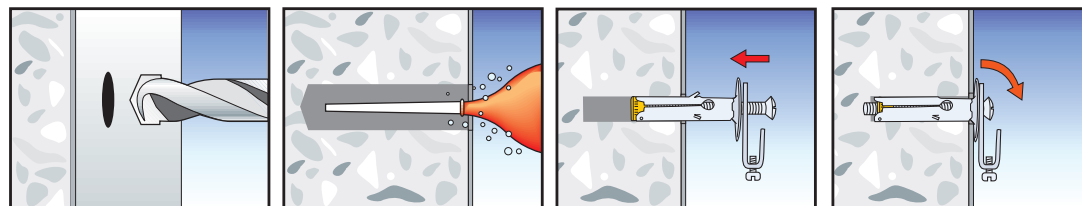
# Vorpa SV

Universal lighth fixing

## installation sequence SV with accessories



On solid brick



On solid brick

Clean the hole before the installation

## product code and technical data

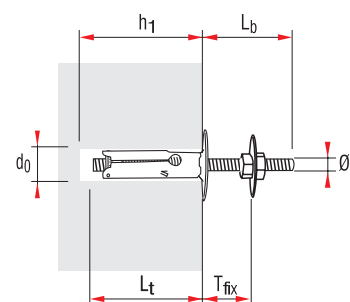


SV stud M6x20



SV stud M4 - M5

Code	Description	$d_0$ mm	$L_t$ mm	$h_1$ mm	$\varnothing_b \times L_b$ mm
687	SV 8 stud M4x40	8	40	50	M4x40
689	SV 9 stud M6x20	9	45	55	M6x20
688	SV 9 stud M5x40	9	45	55	M5x40



- $L_t$  = Anchor length
- $h_1$  = Min. hole depth
- $d_0$  = Hole diameter
- $T_{fix}$  = Fixture thickness
- G = Hook

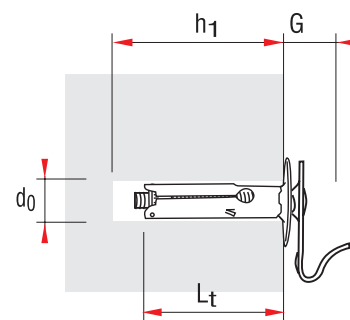


SV flat hook



SV adjustable hook

Code	Description	$d_0$ mm	$L_t$ mm	$h_1$ mm	G mm
745	SV 8 flat hook	8	40	50	14
747	SV 9 adjustable hook	9	45	55	5



## Examples of applications

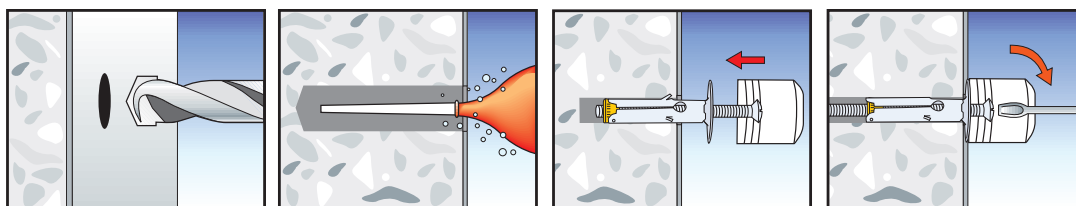




# Vorpa SV

Universal lighth fixing

## installation sequence SV doorstop



On solid brick

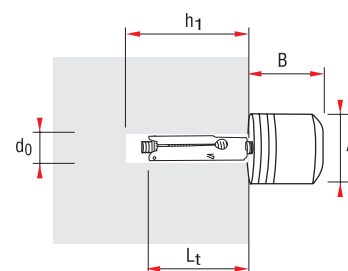
Clean the hole before the installation

## product code and technical data



SV doorstop PVC

Code	Description	d <sub>0</sub> mm	L <sub>t</sub> mm	h <sub>1</sub> mm	AxB mm
756	SV 9 white doorstop	9	45	55	Ø20x25
754	SV 9 black doorstop	9	45	55	Ø20x25



L<sub>t</sub> = Anchor length  
h<sub>1</sub> = Min. hole depth  
d<sub>0</sub> = Hole diameter

## Examples of applications



## technical data SV

**ATTENTION: An appropriate safety factor  $\geq 5$  should be applied on these values**

### SV 6

Code	1675 - *1677 - *1683 - *1685
Pull out values in daN	1 daN $\approx$ 1 kg
Concrete C20/25	40
*bending moment	

### SV 8

Code	675	*677 - *679 - *681 - *683 - *685	687
Pull out values in daN			1 daN $\approx$ 1 kg
Concrete C20/25	300	40	300
*bending moment			

### SV 9

Code	676 - 2860 - 2861	*678 - *680 - *682 - *684 - *686 - *2862 - *2863 - *2864 - *2865	688 - 689
Pull out values in daN			1 daN $\approx$ 1 kg
Concrete C20/25	370	90	370
*bending moment			

As for applications on natural stones and solid bricks it is not possible to show specific loading values because of the various materials properties