

# Vorpa BEAM CLAMP

Steel clamp for anti-fall nets



products group



**Suitable for**

- iron beams
- IPE structures
- metal carpentry

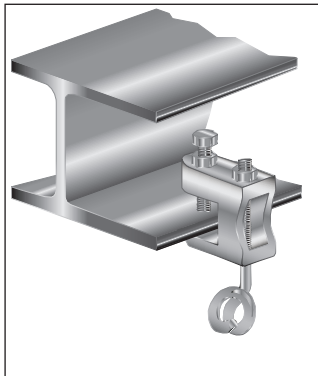
**To fix**

- threaded accessories M8/M10/M12
- tensioning ropes
- fall protection nets
- industrial plant engineering
- conducting installations
- plumbing and drains

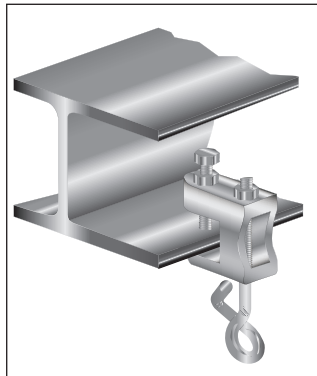
product code and technical data

Code	Description	A mm	B mm	C mm	D mm	E mm	F mm	G mm	H mm	Max load anchor point kg	Certification
89004	Morsetto M 8	21	19	35	M8	35	M8	18	38	120	Vds - UL
9335	Morsetto M10	23	21	42	M10	41	M10	20	44	250	VdS - UL - FM
9336	Morsetto M12	35	23,5	54	M12	48	M10	26	58	350	VdS - UL - FM

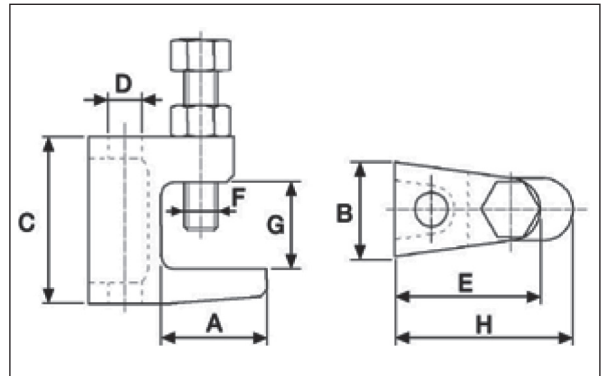
scaffolding anchors



Steel clamp with through threaded hole and hedgehog safety hook M10



Steel clamp with through threaded hole and M12 safety hook



Examples of applications

