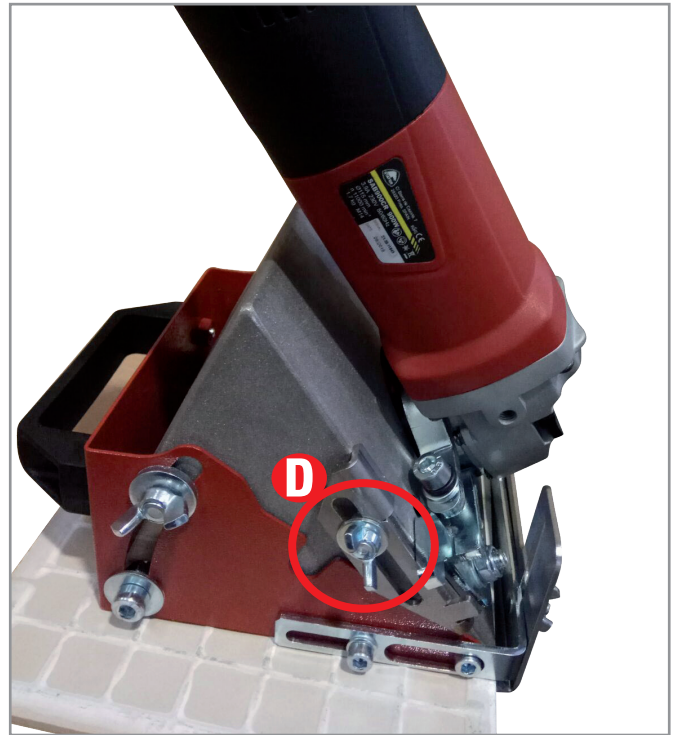
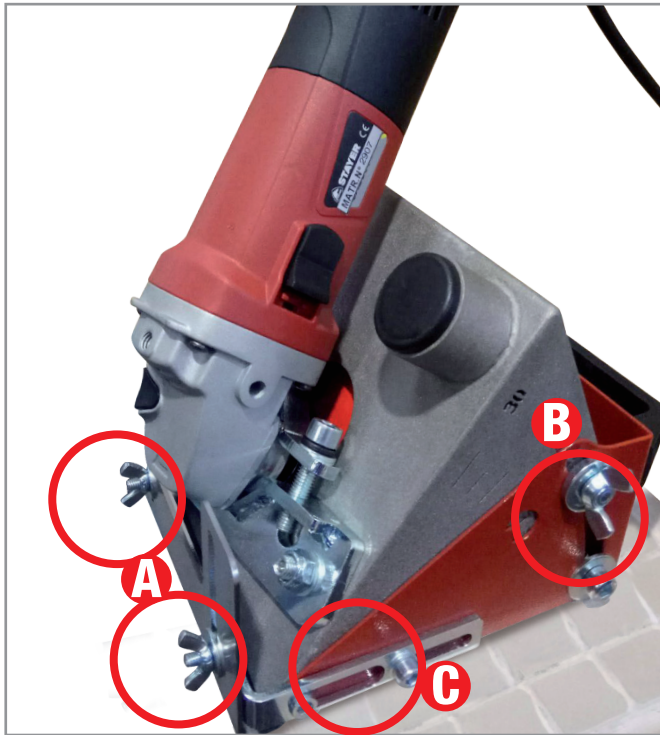


Click-Cut grooving tool instructions



A Wing nut to adjust the slab thickness and block.

B Wing nut to adjust the cutting inclination, the right inclination of Click-Cut flute Device for engraving slabs is 55° for each size Click-Up hook.

C Flange to adjust the cutting position.

D Wing nut to adjust the cutting depth.

Examples of application



Slab back side



Slab front side