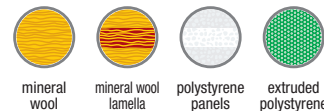
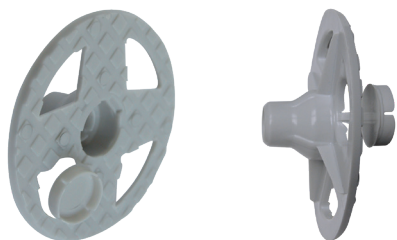


Vorpa ISO DISK Ø58

Nylon fixing for insulation panels



products group



ISO DISK Ø58

Suitable for

- polystyrene panels
- extruded polystyrene
- heat insulating and soundproofing panels
- mineral wool lamella/mineral wool

product information

Characteristics

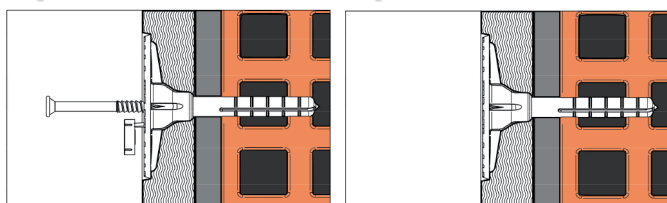
- HD polypropylene disc, for fixing insulating panels on wood or masonry. The disk is fixed to the support with a Ø6mm self-tapping screw with countersunk head or a Ø8mm hammer-in plug. Particularly suitable for fixing mineral wool or cellular glass insulating panels. The closing cap provides complete insulation of the thermal bridge and allows a perfect leveling of the wall

Characteristics

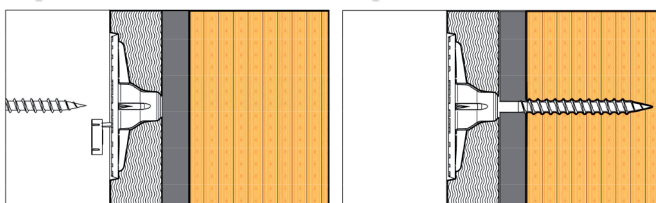
- flexible for any type of support
- with closing cap for better shaving and thermal insulation
- can be combined with hammer-in nylon plug with reduced head Ø8mm
- can be combined with a countersunk head wood screw for wooden supports, plywood, wood chipboard

installation sequence

On hollow brick



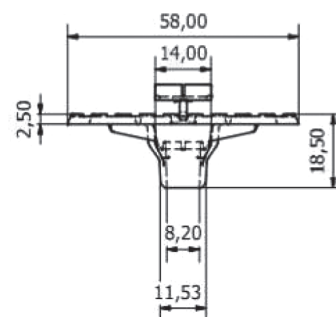
On wood substrate



The tightening of the self-tapping or percussion screw, inserted in the central seat of the disco, creates the right pressure for fixing the insulation

product code and technical data

Code	Description	d _f mm	ØT mm	S _p mm
55764	ISO DISK PEHO 6	8	58	2,5



d_f = Internal hole diameter
 ØT = Head diameter
 S_p = Head thickness

Examples of applications

