

# Vorpa HU

Universal lighth fixing for plasterboard

## products group



**HU**  
with screw



**HU GM**  
with hook



**HU GA**  
with wire hook

### Suitable for

- perforated brick
- plasterboard
- boards and panels

### To fix

- skirting
- lightings, paintings
- curtains slide guides

## product information

### Characteristics

- metal cavity fixing with metric screw
- quick, easy and secure installation
- the metric internal thread allows the attachment to be removed and refitted several times
- the expanding arms ensure a large supporting surface
- the claws around the edge of the fixing penetrate the board building material, preventing the fixing from rotating
- load bearing capacity
- during the installation procedure the expanding arms swing open and press onto the reverse side of the board
- the metal fixing can be installed using installation pliers. If using a battery operated screwdriver or screwdriver for installation, the pre-assembled screws must be removed first

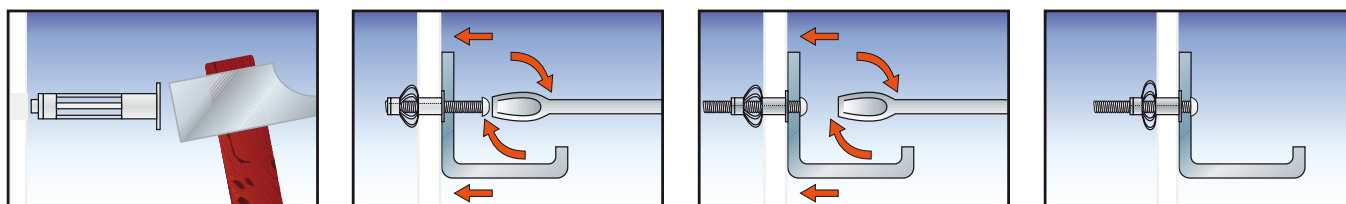
### Installation

- to be mounted aligned the panel

### Suggestion for use

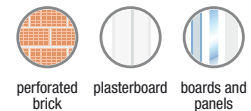
- always consider an appropriate safety factor
- check load bearing capacity values
- respect the installation data

## installation sequence



### Examples of applications





# Vorpa HU

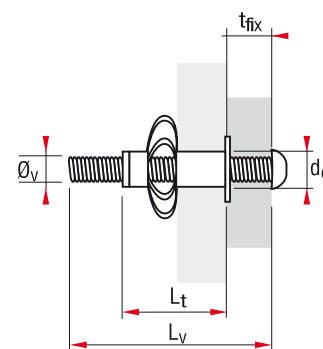
Universal lighth fixing for plasterboard

product code and technical data



**HU**  
with screw

Code	Description	L <sub>t</sub> mm	Ø <sub>v</sub> xL <sub>v</sub> mm	d <sub>o</sub> mm	h <sub>1</sub> mm	d <sub>p</sub> mm	T <sub>fix</sub> mm
1766	HU 4/20/7	20	M4 x 28	8	30	2-4	14
1767	HU 4/32/7	32	M4 x 40	8	42	3-8	18
1768	HU 4/38/7	38	M4 x 45	8	48	10-15	20
1769	HU 4/45/7	45	M4 x 52	8	55	18-22	20
770	HU 5/37/9	37	M5 x 45	10	47	6-10	22
771	HU 5/52/9	52	M5 x 60	10	62	8-12,5	25
1775	HU 5/65/9	65	M5 x 72	10	75	20-30	25
772	HU 6/52/10	52	M6 x 60	12	62	7-16	30
773	HU 6/65/10	65	M6 x 72	12	75	18-26	30
774	HU 6/80/10	80	M6 x 92	12	90	32-42	30



- L<sub>t</sub> = Anchor length before installation
- h<sub>1</sub> = Min. hole depth
- d<sub>o</sub> = Hole diameter
- t<sub>fix</sub> = Fixture thickness
- Ø<sub>v</sub> = Screw diameter
- L<sub>v</sub> = Screw length
- G = Hook
- Ø = Diameter of the hook
- d<sub>p</sub> = Panel thickness



**HU GM**  
with hook

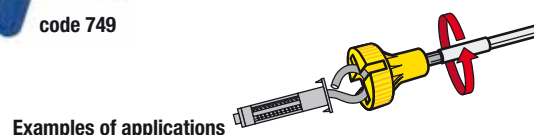
Code	Description	L <sub>t</sub> mm	Ø <sub>v</sub> xL <sub>v</sub> mm	d <sub>o</sub> mm	h <sub>1</sub> mm	d <sub>p</sub> mm	G mm
1116	HU GM 5/37/9	37	M5 x 45	10	47	6-10	12



**HU GA**  
with wire hook

Code	Description	L <sub>t</sub> mm	Ø <sub>v</sub> xL <sub>v</sub> mm	d <sub>o</sub> mm	h <sub>1</sub> mm	d <sub>p</sub> mm	Ø mm
1117	HU GA 5/37/9	37	M5 x 45	10	47	6-10	12

Code	Description
749	HTU assembly plier
53128	HTU eye and bolt adapter



**ATTENTION: An appropriate safety factor ≥ 3 should be applied on these values**

HU	HU 4	HU 5	HU 6
<b>Pull out values in daN</b>			<b>1 daN = 1 kg</b>
Screw - Plasterboard 9,5 mm	45	45	45
Screw - Plasterboard 12,5 mm	45	45	45
Screw - Plasterboard 19-20 mm	75	75	75
Screw - Plasterboard ≥ 25 mm	-	90	90
Hook - bending moment	70	90	110
Eyebolt - bending moment	70	90	110