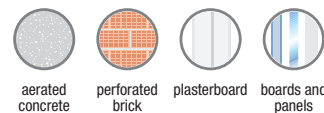
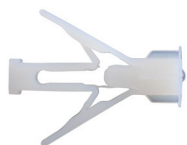


Vorpa HS

Universal lighth fixing for plasterboard



products group

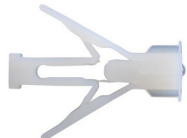


HS
no accessories

- Suitable for
- aerated concrete
- perforated brick
- plasterboard
- boards and panels

To fix

- curtain slide guides
- lighting, paintings
- post boxes
- satellite dishes
- shelves, profiles
- door stops
- ceilings, hangers
- motion sensors
- bath accessories
- wall mounting for tv and radio



HSV
with chipboard screw

product information

Characteristics

- nylon plug with toggle designed for fixing on hollow materials plasterboard, boards and panels
- suitable for metric and chipboard screws
- the expanding arms swing open and press onto the reverse side of the board
- reduced thermal transfer

Installation

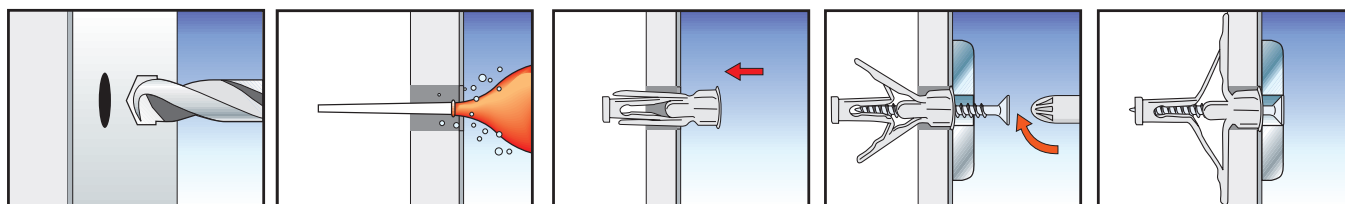
- to be mounted aligned the panel

Suggestion for use

- always consider an appropriate safety factor
- check load bearing capacity values
- respect the installation data
- clean the hole before the installation

installation sequence

Clean the hole before the installation

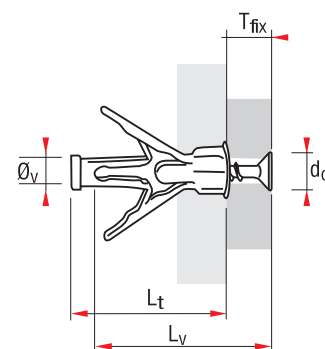


product code and technical data

HS
no accessories

HS V
with chipboard screw

Code	Description	L _t mm	h ₁ mm	Ø _v xL _v mm	Ø _v mm	d ₀ mm	T _{fix} mm
1050	HS 10x38	38	30		4	10	12
1051	HS 10x47	47	42		4	10	19
1056	HSV 10x38	38	30	4x50		10	12
1057	HSV 10x47	47	42	4x55		10	19



- L_t = Plug length
- h₁ = Min. hole depth
- d₀ = Hole diameter
- t_{fix} = Fixture thickness
- Ø_v = Screw diameter
- L_v = Screw length

ATTENTION: An appropriate safety factor ≥ 5 should be applied on these values

Screw length calculation: L_v > L_t + T_{fix}

HU

	HS Ø10	1 daN _≥ 1 kg
Pull out values in daN		
Plasterboard	40	
Hollow brick	40	