

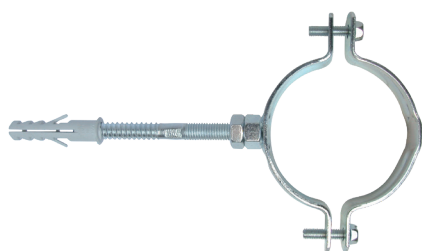
Vorpa CDS GAS - VRP - CDG

Steel pipe clamp



concrete natural stone solid brick

products group



VRP steel clamp with wall plastic plug and double threaded screw

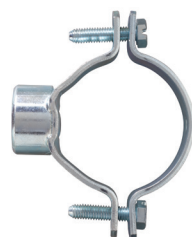


CDG steel clamp with welded nut

- Suitable for**
- concrete
 - natural stone
 - solid brick

- To fix**
- industrial plants
 - plumbing and heating systems
 - run water vapor systems

CDS steel clamp with 1/2" welded nut

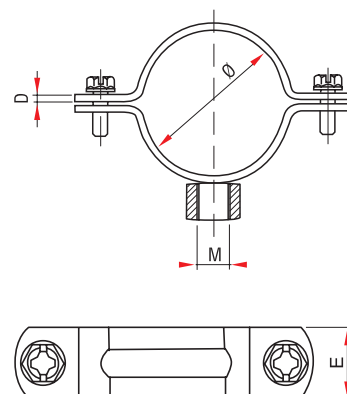


Steel clamp for PVC and polyethylene pipes

product code and technical data

CDS steel clamp with 1/2" welded nut

Code	Description		Nominal diameter	E x D mm	M thread	Side screws
1779	CDS 1/2 GAS	40	40	30x2,5	1/2"	M6
781	CDS 1/2 GAS	50	50	30x2,5	1/2"	M6
782	CDS 1/2 GAS	63	63	30x2,5	1/2"	M6
783	CDS 1/2 GAS	76-80	76 - 2"1/2"	30x2,5	1/2"	M6
784	CDS 1/2 GAS	90-100	90 - 3"	30x2,5	1/2"	M6
757	CDS 1/2 GAS	100-110	100 - 110	30x2,5	1/2"	M6
785	CDS 1/2 GAS	110-120	4"	30x2,5	1/2"	M6
786	CDS 1/2 GAS	125-130	125 - 130	30x2,5	1/2"	M6
788	CDS 1/2 GAS	140-150	5"	30x2,5	1/2"	M6
787	CDS 1/2 GAS	152-160	6"	30x2,5	1/2"	M6
789	CDS 1/2 GAS	200	200	30x2,5	1/2"	M6
793	CDS 1/2 GAS	250	250	30x2,5	1/2"	M6
758	CDS 1/2 GAS	300	300	30x2,5	1/2"	M6
758S	CDS 1/2 GAS	315	315	30x2,5	1/2"	M6



Examples of applications



CDS 1/2" GAS

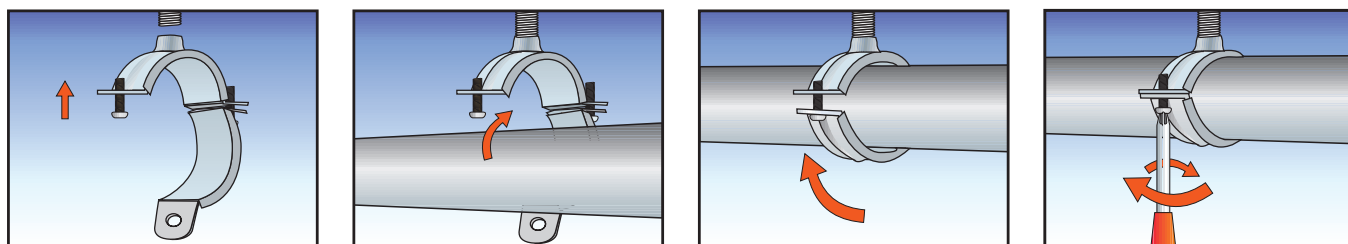
Pipe size	daN
Axial recommended load	1 daN=1 kg
40 - 315	300

Vorpa CDS GAS - VRP - CDG

Steel pipe clamp



installation sequence

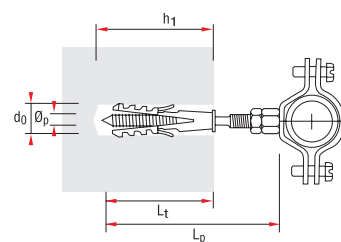


Clean the hole before the installation

product code and technical data

CDG steel clamp with welded nut

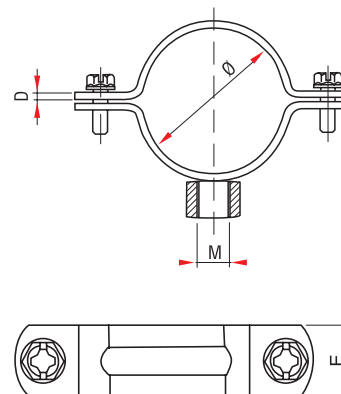
Code	Description	Nominal diameter	E x D mm	M thread	Side screws
1480	CDG steel clamp	40	29x2,3	M10	M6x20
481	CDG steel clamp	50	29x2,3	M10	M6x20
482	CDG steel clamp	63	29x2,3	M10	M6x20
483	CDG steel clamp	76	29x2,3	M10	M6x25
484	CDG steel clamp	90	29x2,3	M10	M6x25
476	CDG steel clamp	100	29x2,3	M10	M6x25
485	CDG steel clamp	110	29x2,3	M10	M6x25
486	CDG steel clamp	125	29x2,3	M10	M6x25
488	CDG steel clamp	140	29x2,3	M10	M6x25
487	CDG steel clamp	160	29x2,3	M10	M6x25
1487	CDG steel clamp	180	29x2,3	M10	M6x25
489	CDG steel clamp	200	29x2,3	M10	M6x25
1489	CDG steel clamp	220	29x2,3	M10	M6x25
1490	CDG steel clamp	250	29x2,3	M10	M6x25
1491	CDG steel clamp	300	29x2,3	M10	M6x25



d_0 = Hole diameter
 h_1 = Min. hole depth
 L_t = Anchor length
 L_p = Pin length
 $E \times D$ = Width x thickness
 M = Thread

VRP steel clamp with wall plastic plug and double threaded screw

Code	Description	Nominal diameter	E x D mm	$d_0 \times L_t$ mm	h_1 mm	L_p mm	Side screws
4460	VRP steel clamp/plug	40	29x2,3	12x60	75	M10x120	M6x20
461	VRP steel clamp/plug	50	29x2,3	12x60	75	M10x120	M6x20
462	VRP steel clamp/plug	63	29x2,3	12x60	75	M10x120	M6x20
463	VRP steel clamp/plug	76	29x2,3	12x60	75	M10x120	M6x25
464	VRP steel clamp/plug	90	29x2,3	12x60	75	M10x120	M6x25
460	VRP steel clamp/plug	100	29x2,3	12x60	75	M10x120	M6x25
465	VRP steel clamp/plug	110	29x2,3	12x60	75	M10x120	M6x25
466	VRP steel clamp/plug	125	29x2,3	12x60	75	M10x120	M6x25
468	VRP steel clamp/plug	140	29x2,3	12x60	75	M10x120	M6x25
467	VRP steel clamp/plug	160	29x2,3	12x60	75	M10x120	M6x25
1470	VRP steel clamp/plug	180	29x2,3	12x60	75	M10x120	M6x25
469	VRP steel clamp/plug	200	29x2,3	12x60	75	M10x120	M6x25
1471	VRP steel clamp/plug	220	29x2,3	12x60	75	M10x120	M6x25
470	VRP steel clamp/plug	250	29x2,3	12x60	75	M10x120	M6x25
471	VRP steel clamp/plug	300	29x2,3	12x60	75	M10x120	M6x25



- always check load bearing capacity values in the table
- respect the installation data
- clean the hole before the installation

VRP - CDG

Pipe size	daN
Axial recommended load	1 daN=1 kg
40 - 300	180