



# Vorpa BRM - BRG

Steel pipe clamp

products group



**BRM**  
steel clamp with nylon plug and double threaded screw

**BRG**  
steel clamp

**Suitable for**

- concrete
- natural stone
- solid brick

**To fix**

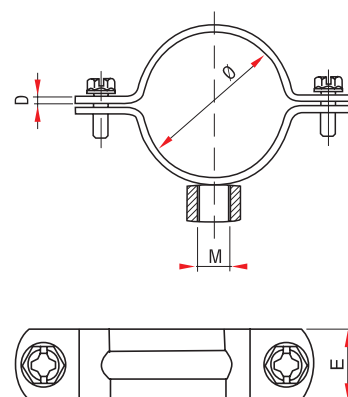
- industrial plants
- plumbing and heating systems
- run water vapor systems

## Steel pipe clamp for steel pipes

product information

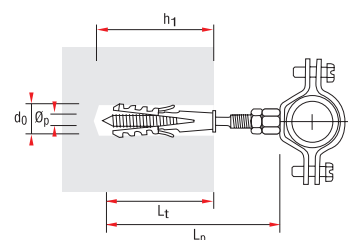
**BRG steel pipe clamp**

Code	Description	Nominal diameter	E x D	M thread	Side screws
4472	BRG steel clamp	16-20	3/8 20x2,5	M8	M6x25
4474	BRG steel clamp	20-24	1/2 20x2,5	M8	M6x25
4476	BRG steel clamp	25-30	3/4 20x2,5	M8	M6x25
4477	BRG steel clamp	32-36	1" 20x2,5	M8	M6x25
4478	BRG steel clamp	38-44	1" 1/4 20x2,5	M8	M6x25
4479	BRG steel clamp	46-50	1" 1/2 20x2,5	M8	M6x25
4480	BRG steel clamp	58-62	2" 20x2,5	M8	M6x25
4481	BRG steel clamp	74-80	2" 1/2 20x2,5	M8	M6x25
4482	BRG steel clamp	82-89	3" 20x2,5	M8	M6x25
4483	BRG steel clamp	112-118	4" 20x2,5	M8	M6x25
4484	BRG steel clamp	74-80	2" 1/2 30x2,5	M10	M6x25
4485	BRG steel clamp	82-89	3" 30x2,5	M10	M6x25
4486	BRG steel clamp	112-118	4" 30x2,5	M10	M6x25
4487	BRG steel clamp	130-141	5" 30x2,5	M10	M6x25
4488	BRG steel clamp	164-172	6" 30x2,5	M10	M6x25



**BRM steel clamp with nylon plug and double threaded screw**

Code	Description	Nominal diameter	E x D mm	d <sub>0</sub> x L <sub>t</sub> mm	h <sub>1</sub> mm	M x L <sub>p</sub> mm	Side screws
1210	BRM steel clamp/plug	16-20	3/8 20x2,5	10 x 60	80	M8x90	M6x25
1211	BRM steel clamp/plug	20-24	1/2 20x2,5	10 x 60	80	M8x90	M6x25
1212	BRM steel clamp/plug	25-30	3/4 20x2,5	10 x 60	80	M8x90	M6x25
1213	BRM steel clamp/plug	32-36	1" 20x2,5	10 x 60	80	M8x90	M6x25
1214	BRM steel clamp/plug	38-44	1" 1/4 20x2,5	10 x 60	80	M8x90	M6x25
1215	BRM steel clamp/plug	46-50	1" 1/2 20x2,5	10 x 60	80	M8x90	M6x25
1216	BRM steel clamp/plug	58-62	2" 20x2,5	10 x 60	80	M8x90	M6x25
1217	BRM steel clamp/plug	74-80	2" 1/2 20x2,5	10 x 60	80	M8x90	M6x25
1218	BRM steel clamp/plug	82-89	3" 20x2,5	10 x 60	80	M8x90	M6x25
1219	BRM steel clamp/plug	112-118	4" 20x2,5	10 x 60	80	M8x90	M6x25
1220	BRM steel clamp/plug	74-80	2" 1/2 30x2,5	12 x 60	80	M10x120	M6x25
1221	BRM steel clamp/plug	82-89	3" 30x2,5	12 x 60	80	M10x120	M6x25
1222	BRM steel clamp/plug	112-118	4" 30x2,5	12 x 60	80	M10x120	M6x25
1223	BRM steel clamp/plug	130-141	5" 30x2,5	12 x 60	80	M10x120	M6x25
1224	BRM steel clamp/plug	164-172	6" 30x2,5	12 x 60	80	M10x120	M6x25



- d<sub>0</sub> = Hole diameter
- h<sub>1</sub> = Min. hole depth
- L<sub>t</sub> = Anchor length
- L<sub>p</sub> = Pin length
- ExD = Width x thickness
- M = Thread

- always check load bearing capacity values in the table
- respect the installation data
- clean the hole before the installation

**BRM - BRG**

Pipe size	daN
Axial recommended load	1 daN=1 kg
3/8" - 6"	250