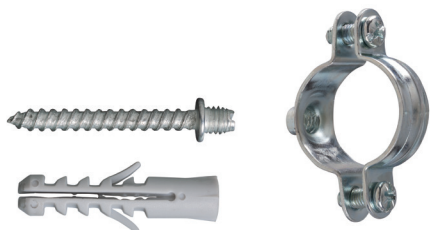




Vorpa CT

Light steel pipe clamp

products group



VN V plastic wall plug VN with double threaded screw

CT steel clamp with nylon wall plug VN V 8x40 and double threaded screw

Suitable for

- concrete
- natural stone
- solid brick

To fix

- light steel pipes

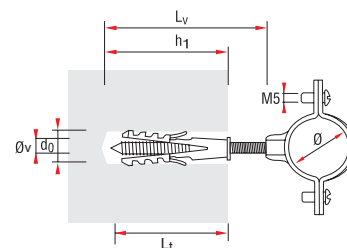
Light steel clamp

- always check load bearing capacity values in the table
- respect the installation data
- clean the hole before the installation

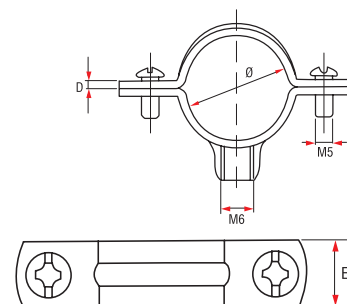
product code and technical data

CT steel clamp with nylon wall plug VN V 8x40 and double threaded screw

Code	Description	Side screws	Øt mm	E x D lower portion (mm)	E x D upper portion (mm)	Thread	L _t mm	d ₀ mm	h ₁ mm	Ø _v x L _v mm
1400	CT light clamp	10	M5	10	15x1,2	10x0,9				
1401	CT light clamp	12	M5	12	15x1,2	10x0,9				
1402	CT light clamp	14	M5	14	15x1,2	10x0,9				
1403	CT light clamp	16	M5	16	15x1,2	10x0,9				
1404	CT light clamp	18	M5	18	15x1,2	10x0,9				
1405	CT light clamp	20	M5	20	15x1,2	10x0,9				
1406	CT light clamp	22	M5	22	15x1,2	10x0,9				
1407	CT light clamp	24	M5	24	15x1,2	10x0,9				
1408	CT light clamp	26	M5	26	15x1,2	10x0,9				
1409	CT light clamp	28	M5	28	15x1,2	10x0,9				
1410	CT light clamp	32	M5	32	15x1,2	10x0,9				
1415	CT light clamp	35	M5	35	15x1,2	10x0,9				
1411	CT light clamp	38	M5	38	15x1,2	10x0,9				
1412	CT light clamp	42	M5	42	16x1,2	12x0,9				
1413	CT light clamp	48	M5	48	16x1,2	12x0,9				
1414	CT light clamp	50	M5	50	16x1,2	12x0,9				



- d₀ = Hole diameter
- h₁ = Min. hole depth
- L_t = Plug length
- L_v = Screw length
- ExD = Width x thickness
- Ø = Pipe
- Ø_v = Screw diameter



VN V plastic wall plug VN with double threaded screw

768	VN V nylon plug/double screw	8x40	M6	40	8	50	6x40
-----	------------------------------	------	----	----	---	----	------

Examples of applications

