

# H<sub>2</sub>O Bath

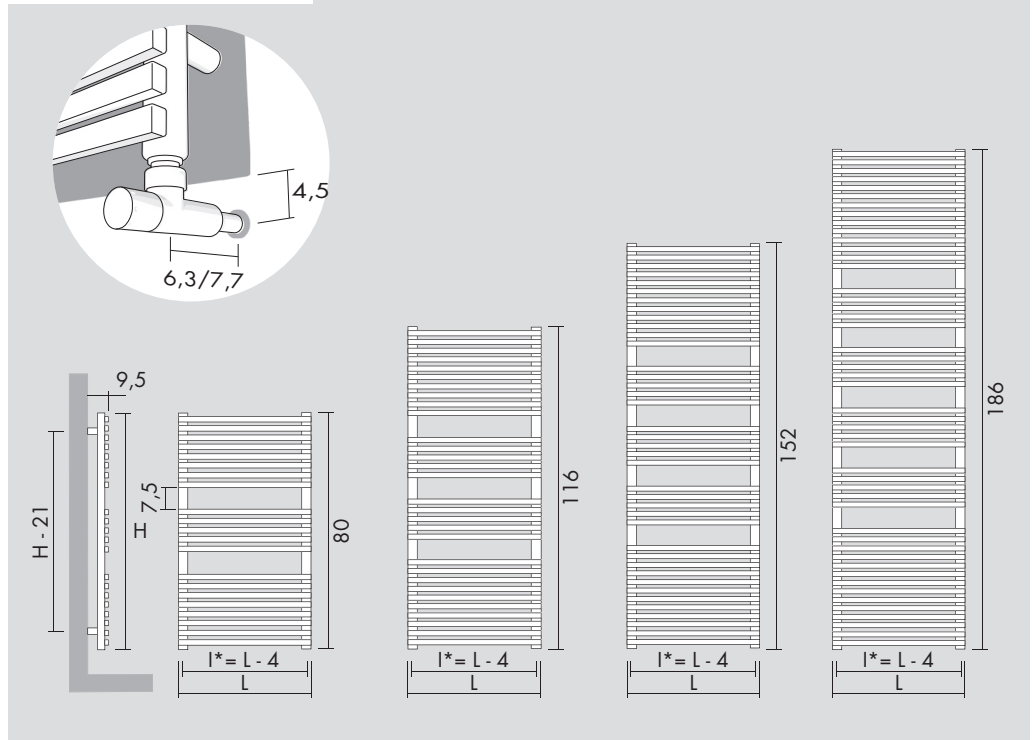
UNI EN 442 Δt 50° 75°/65°/20° - Δt 30° 55°/45°/20°



Kcal = Watt x 0.860  
BTU = Watt x 3.413

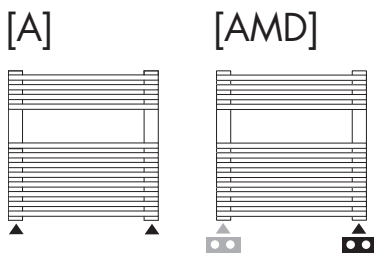
Watt Δt 60° = Watt Δt 50° x 1.247  
Watt Δt 40° = Watt Δt 50° x 0.763  
Watt Δt 30° = Watt Δt 50° x 0.539  
Watt Δt 20° = Watt Δt 50° x 0.390

p max = 10.0 bar

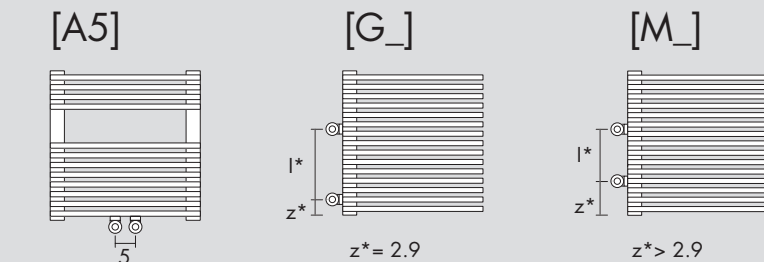


H cm	L cm	I* cm	art*	[B] STOCK	lt*	watt Δt 30°	watt Δt 50°	watt Δt 30°	watt Δt 50°
80.0	40.0	36.0	<b>HB20S040080</b>	STOCK	4.1	180	<b>334</b>	122	<b>227</b>
80.0	50.0	46.0	<b>HB20S050080</b>	STOCK	4.7	224	<b>416</b>	153	<b>283</b>
80.0	60.0	56.0	<b>HB20S060080</b>	STOCK	5.3	267	<b>495</b>	181	<b>336</b>
116.0	40.0	36.0	<b>HB20S040116</b>	STOCK	5.8	258	<b>479</b>	175	<b>325</b>
116.0	50.0	46.0	<b>HB20S050116</b>	STOCK	6.7	319	<b>592</b>	217	<b>403</b>
116.0	60.0	56.0	<b>HB20S060116</b>	STOCK	7.6	379	<b>704</b>	258	<b>479</b>
152.0	40.0	36.0	<b>HB20S040152</b>	STOCK	7.6	332	<b>616</b>	226	<b>419</b>
152.0	50.0	46.0	<b>HB20S050152</b>	STOCK	8.8	410	<b>761</b>	279	<b>518</b>
152.0	60.0	56.0	<b>HB20S060152</b>	STOCK	9.9	488	<b>906</b>	332	<b>616</b>
186.0	40.0	36.0	<b>HB20S040186</b>	STOCK	9.3	410	<b>761</b>	279	<b>518</b>
186.0	50.0	46.0	<b>HB20S050186</b>	STOCK	10.8	498	<b>924</b>	338	<b>628</b>
186.0	60.0	56.0	<b>HB20S060186</b>	STOCK	12.2	593	<b>1 100</b>	403	<b>748</b>

Standard connection / Raccord standard  
Standard Anschluss / Conexión estándar



Special connection / Raccord spéciale / Speziell Anschluss / Conexión especial



Replace \_ with connection S (Left) or D (Right). / Remplacer le \_ avec raccordement S (Gauche) ou D (Droite). /  
Um linker oder rechter Anschluss zu bestellen, bitte das Symbol \_ mit S (links) oder D (rechts) ersetzen. /  
Sustituir el \_ con las conexiones S (Izquierda) o D (Derecha).

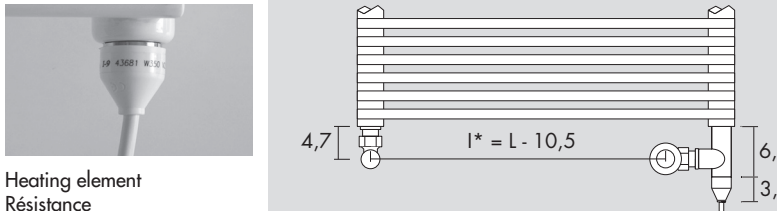
art\* = item / modèle / Artikel / artículo    I\* = pipe centres / distance entre depart et retour / Achsabstand / distancia entre las conexiones  
lt\* = water content for each element / volume d'eau pour chaque element / Wassergehalt für Element / contenido de agua por cada elemento

Dual application with schuko plug / Version mixte avec prise schuko / Kombimodell mit Schukosteckdose / Versión mixta con enchufe schuko

H cm	L cm	I* cm	art*	[B] STOCK	Lt*	watt Δt 30°	watt Δt 50°	watt
80.0	40.0	29.5	<b>MC HB20S040080</b>	STOCK	4.1	180	<b>334</b>	350
80.0	50.0	39.5	<b>MC HB20S050080</b>	STOCK	4.7	224	<b>416</b>	350
80.0	60.0	49.5	<b>MC HB20S060080</b>	STOCK	5.3	267	<b>495</b>	500
116.0	40.0	29.5	<b>MC HB20S040116</b>	STOCK	5.8	258	<b>479</b>	500
116.0	50.0	39.5	<b>MC HB20S050116</b>	STOCK	6.7	319	<b>592</b>	500
116.0	60.0	49.5	<b>MC HB20S060116</b>	STOCK	7.6	379	<b>704</b>	700
152.0	40.0	29.5	<b>MC HB20S040152</b>	STOCK	7.6	332	<b>616</b>	500
152.0	50.0	39.5	<b>MC HB20S050152</b>	STOCK	8.8	410	<b>761</b>	700
152.0	60.0	49.5	<b>MC HB20S060152</b>	STOCK	9.9	488	<b>906</b>	700
186.0	40.0	29.5	<b>MC HB20S040186</b>	STOCK	9.3	410	<b>761</b>	700
186.0	50.0	39.5	<b>MC HB20S050186</b>	STOCK	10.8	498	<b>924</b>	1 000
186.0	60.0	49.5	<b>MC HB20S060186</b>	STOCK	12.2	593	<b>1 100</b>	1 000

watt Δt 30°	watt Δt 50°	watt
-	-	-
-	-	-
181	<b>336</b>	350
175	<b>325</b>	350
217	<b>403</b>	350
258	<b>479</b>	500
226	<b>419</b>	350
279	<b>518</b>	500
332	<b>616</b>	500
279	<b>518</b>	500
338	<b>628</b>	500
403	<b>748</b>	700


### Standard



Heating element  
Résistance  
Heizstab  
Resistencia

4,7 | I\* = L - 10,5 | 6,7 | 3,3

### Optional



Receiver  
Récepteur  
Empfänger  
Receptor

Digital chronothermostat  
Chronothermostat digital  
Der digital Chronothermostat  
Cronotermostato digital


**R10 • 100**      **T11 • 130**

Dual electric element with thermostat / Mixte résistance avec thermostat / Kombimodell mit Raumthermostat / Versión mixta con termostato ambiente

H cm	L cm	I* cm	art*	[B] STOCK	Lt*	watt Δt 30°	watt Δt 50°	watt
80.0	40.0	29.5	<b>MT HB20S040080</b>	STOCK	4.1	180	<b>334</b>	350
80.0	50.0	39.5	<b>MT HB20S050080</b>	STOCK	4.7	224	<b>416</b>	350
80.0	60.0	49.5	<b>MT HB20S060080</b>	STOCK	5.3	267	<b>495</b>	500
116.0	40.0	29.5	<b>MT HB20S040116</b>	STOCK	5.8	258	<b>479</b>	500
116.0	50.0	39.5	<b>MT HB20S050116</b>	STOCK	6.7	319	<b>592</b>	500
116.0	60.0	49.5	<b>MT HB20S060116</b>	STOCK	7.6	379	<b>704</b>	700
152.0	40.0	29.5	<b>MT HB20S040152</b>	STOCK	7.6	332	<b>616</b>	500
152.0	50.0	39.5	<b>MT HB20S050152</b>	STOCK	8.8	410	<b>761</b>	700
152.0	60.0	49.5	<b>MT HB20S060152</b>	STOCK	9.9	488	<b>906</b>	700
186.0	40.0	29.5	<b>MT HB20S040186</b>	STOCK	9.3	410	<b>761</b>	700
186.0	50.0	39.5	<b>MT HB20S050186</b>	STOCK	10.8	498	<b>924</b>	1 000
186.0	60.0	49.5	<b>MT HB20S060186</b>	STOCK	12.2	593	<b>1 100</b>	1 000

watt Δt 30°	watt Δt 50°	watt
-	-	-
-	-	-
181	<b>336</b>	350
175	<b>325</b>	350
217	<b>403</b>	350
258	<b>479</b>	500
226	<b>419</b>	350
279	<b>518</b>	500
332	<b>616</b>	500
279	<b>518</b>	500
338	<b>628</b>	500
403	<b>748</b>	700

### Standard

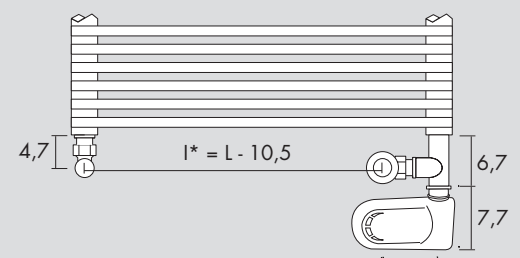


(P\* = 221)

Thermostat  
Thermostat  
Der Thermostat  
Termostato


[BIAN] [CROM]

Infrared remote control  
Télécommande infrarouge  
Infrarot-Fernbedienung  
Mando por infrarrojos



4,7 | I\* = L - 10,5 | 6,7 | 7,7


### Optional



(P\* = 224)

Angled Valve  
Vanne équerre  
Eckausführung Ventil  
Válvula a escuadra


[BIAN] **E12SQB**  
[CROM] **E12SQR**



(P\* = 226)

Thermostatic head  
Tête thermostatique  
Thermostatkopf  
Cabezal termostático


[BIAN] **TTB**  
[CROM] **TTR**



(I\* = 5 cm)


Sleeving kit  
Kit couvre tuyau  
Rosetten  
Kit cubre tubo

[BIAN] **C5B**  
[CROM] **C5R**



Ø ≤ 16 mm  
[BIAN] **CTB**  
[CROM] **CTR**

16 mm < Ø < 24 mm  
[BIAN] **CWB**  
[CROM] **CWR**



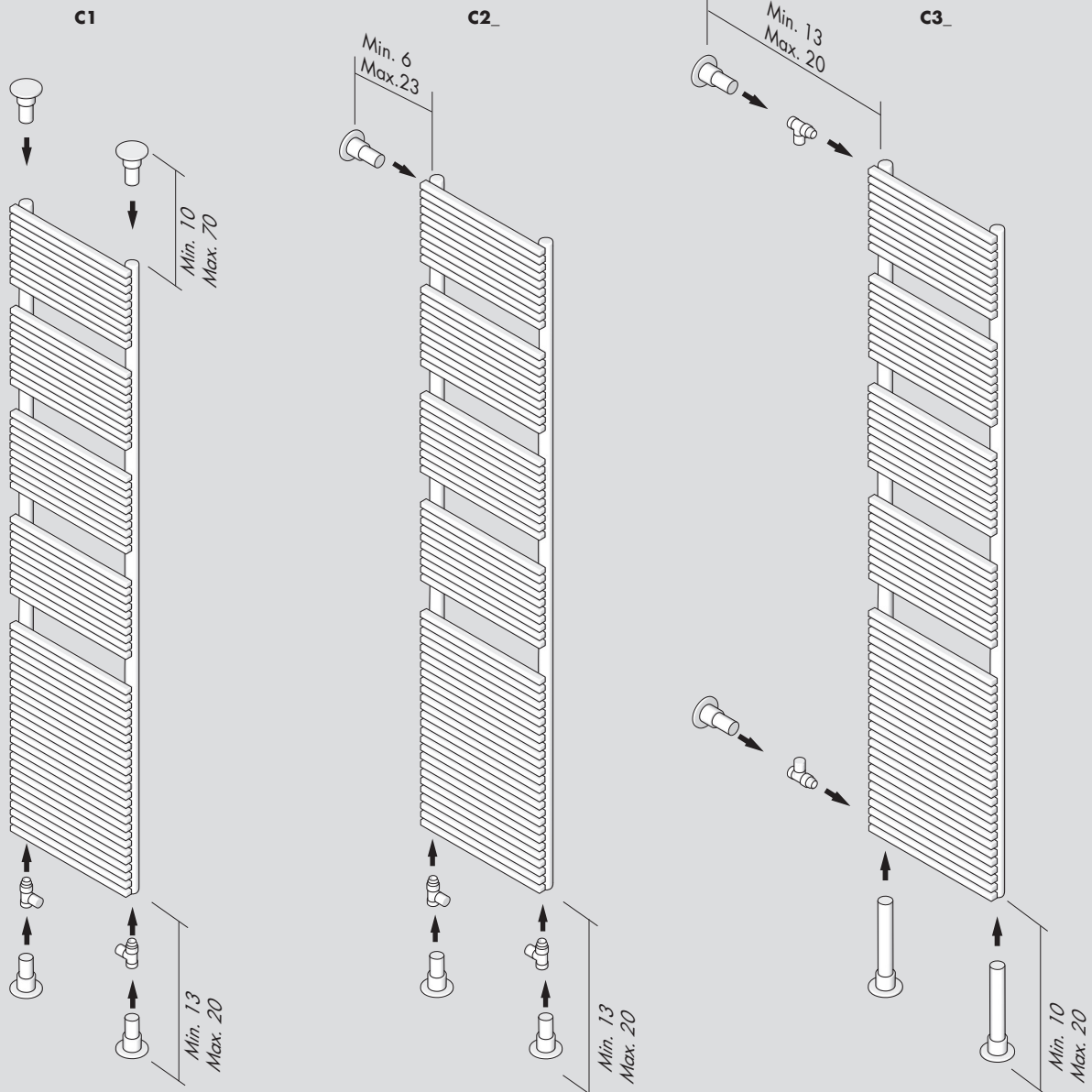
(2 pz.)  
(P\* = 220)

Towel hooks  
Paire de patère  
Crochet das Bugel  
Percha

[INOX] **3A20X**

art\* = item / modèle / Artikel / artículo    I\* = pipe centres / distance entre depart et retour / Achsabstand / distancia entre las conexiones  
 Lt\* = water content for each element / volume d'eau pour chaque element / Wassergehalt für Element / contenido de agua por cada elemento  
 P\* = page / page / Seite / página

Divider / Clastra / Befestigungsstück / Fijación a bandera



Replace \_ with connection S (Left) or D (Right). / Remplacer le \_ avec raccordement S (Gauche) ou D (Droite). / Um linker oder rechter Anschluss zu bestellen, bitte das Symbol \_ mit S (links) oder D (rechts) ersetzen. / Sustituir el \_ con las conexiones S (Izquierda) o D (Derecha).

Compulsory connection [C\_] / Obligatoire raccordement [C\_] / Anschluss [C\_] zwingend / Obligatoria conexión [C\_]

	C1	C2_	C3_
<b>Trim Bath</b>	L* ≤ 90	L* ≤ 60	L* ≤ 60
<b>H_20 Bath</b>	L* ≤ 90	L* ≤ 60	L* ≤ 60
<b>BD 13 S</b>	L* ≤ 90	L* ≤ 60	L* ≤ 60
<b>BD 13 D</b>	L* ≤ 60	L* ≤ 40	L* ≤ 40
<b>BD 25 S</b>	L* ≤ 90	L* ≤ 60	L* ≤ 60
<b>BD 25 D</b>	L* ≤ 60	L* ≤ 40	L* ≤ 40

The divider installation is not available for chrome or gold finished.  
 Les fixations Clastra ne sont pas disponibles pour les finitions chrome ou doré.  
 Fahneanschlüsse nicht verfügbar für Chrome oder Gold Heizkörper.  
 Fijación a bandera no disponible para la versión en acabado cromado o dorado.

L\* = width / longueur / breite / ancho