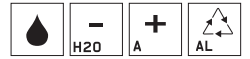


Flaps

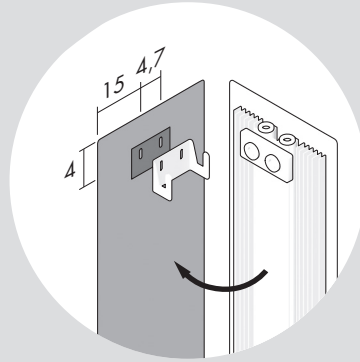
DESIGN VICTOR VASILEV



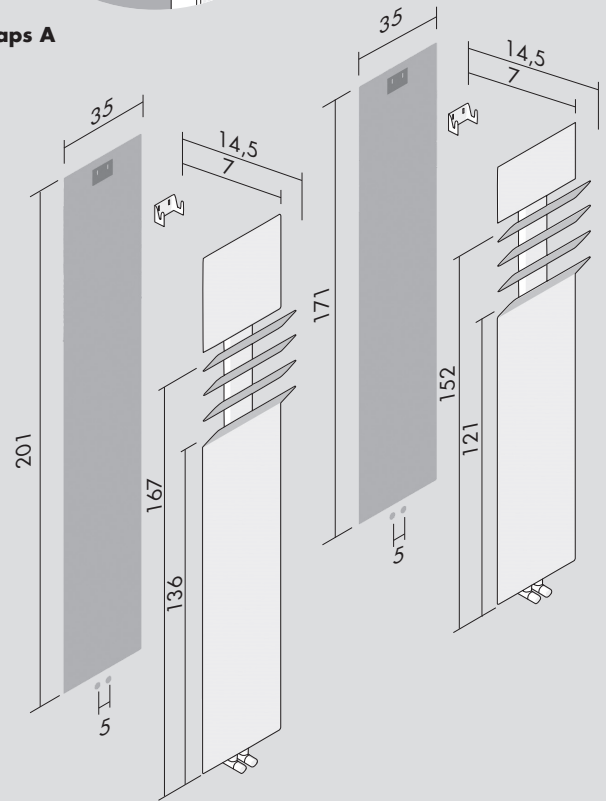
Kcal = Watt x 0.860
 BTU = Watt x 3.413

Watt Δt 60° = Watt Δt 50° x 1.277
 Watt Δt 40° = Watt Δt 50° x 0.741
 Watt Δt 30° = Watt Δt 50° x 0.504
 Watt Δt 20° = Watt Δt 50° x 0.292

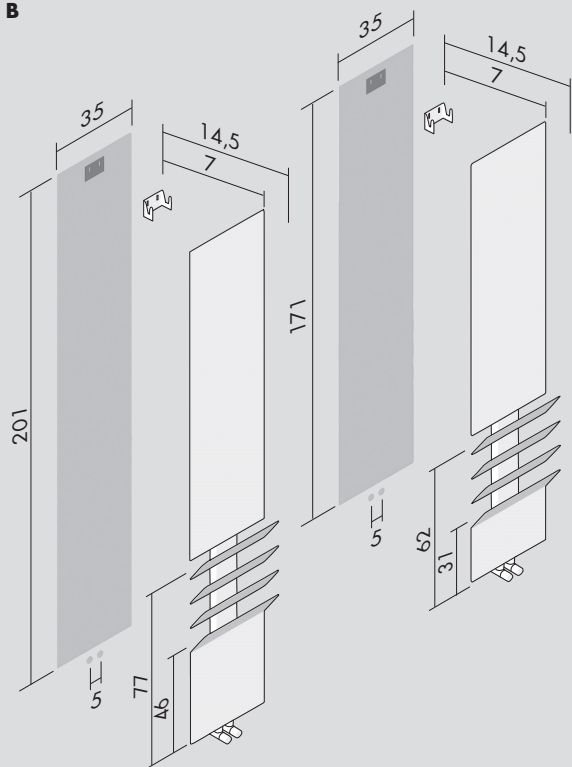
p max = 6.5 bar



Flaps A

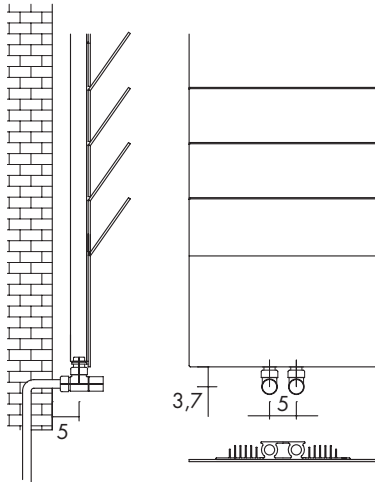


Flaps B



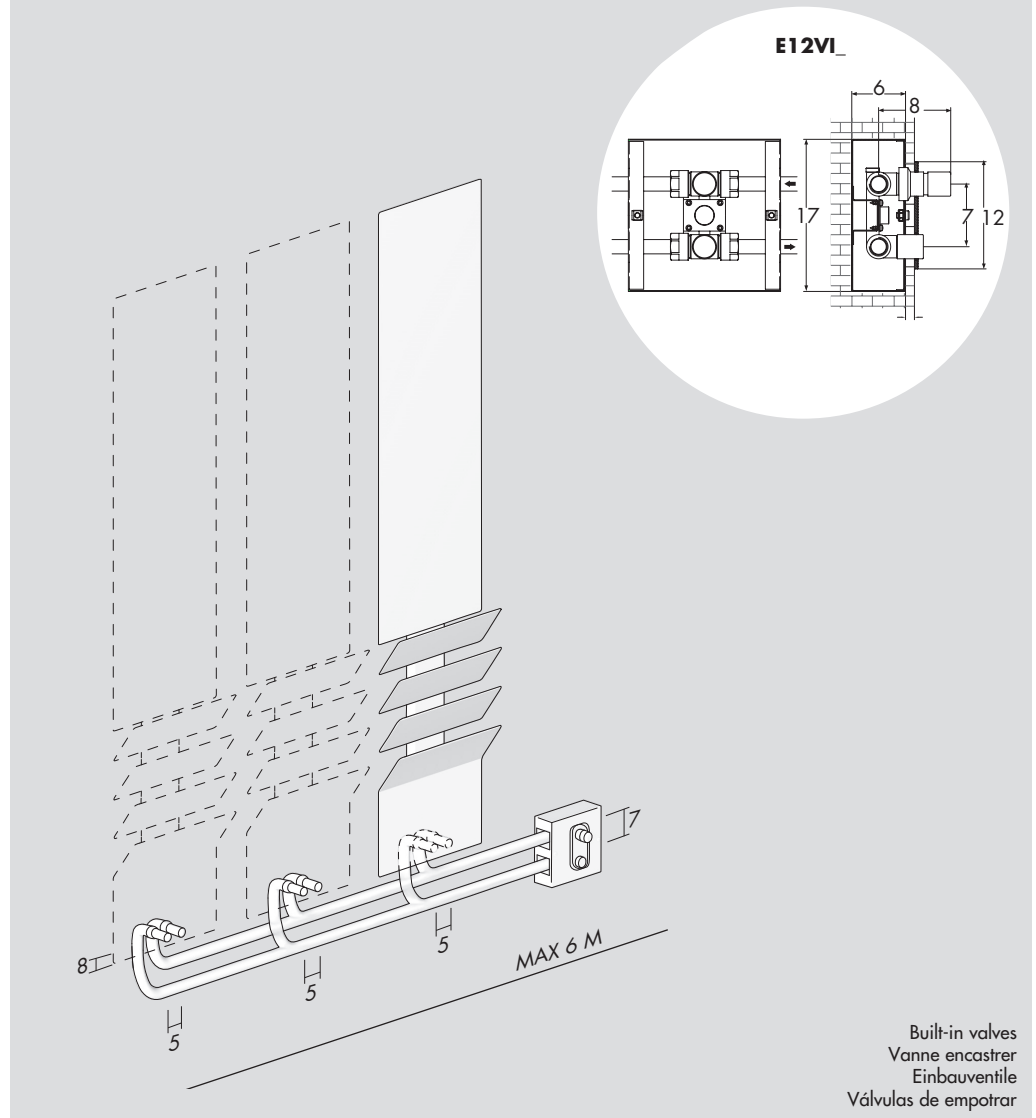
[F]

Standard connection / Raccord standard
Standard Anschluss / Conexión estándar



[H]

Special connection / Raccord spéciale / Speziell Anschluss / Conexión especial



Flaps A

H cm	L cm	I* cm	art*	Lt*	watt Δt 30°	watt Δt 50°
171.0	35.0	5.0	FPA171001_	1.2	290	575
201.0	35.0	5.0	FPA201001_	1.4	353	701

Flaps B

H cm	L cm	I* cm	art*	Lt*	watt Δt 30°	watt Δt 50°
171.0	35.0	5.0	FPB171001_	1.2	290	575
201.0	35.0	5.0	FPB201001_	1.4	353	701

Optional

 <p>(P* = 224)</p>	 <p>(P* = 225)</p>	 <p>⚠ (P* 226)</p>	 <p>(I* = 5 cm)</p>	
Reverse Valve Vanne reverse Reverse Ventil Válvula a escuadra inversa	Built-in valves Vanne encastrer Einbauventile Válvulas de empotrar	Thermostatic head Tête thermostatique Thermostatkopf Cabezal termostático	Sleeving kit Kit couvre tuyau Rosetten Kit cubre tubo	Towel hooks Patère Crochet das Bugel Percha
[BIAN] E12RVB [CROM] E12RVR	[BIAN] E12VIB [CROM] E12VIR	[BIAN] TTB [CROM] TTR	[BIAN] C5B [CROM] C5R	[CROM] AFTR [COLOUR] AFTC [GOLD] AFTG

art* = item / modèle / Artikel / artículo I* = pipe centres / distance entre depart et retour / Achsabstand / distancia entre las conexiones
 Lt* = water content for each element / volume d'eau pour chaque element / Wassergehalt für Element / contenido de agua por cada elemento
 P* = page / page / Seite / página